

TC-200 Two-Channel Temperature Control



A cost effective option for increasing adhesive application flexibility.

The easy, economical way to add hose and gun capacity to hot melt applicators.

The TC-200 is a two-channel micro-processor-based control designed to provide highly accurate temperature regulation for added hoses and guns. This ultra-compact, solid-state unit offers the temperature precision and stability of Proportional/Integral control and regulates two individual temperature zones of almost any combination, such as two guns, two hoses or a hose and a gun. Typical uses include:

- Adding an extra hose-and-gun combination to an applicator, which may have an available hose port but no free control channels.
- Improving the deposition performance of older-technology Nordson applicators by adding an upgraded RTD-type hose-and-gun combination for more precise temperature control.
- Utilizing the superior technology of Nordson hoses and guns with hot melt units of other manufacturers.

Simplified installation and operation.

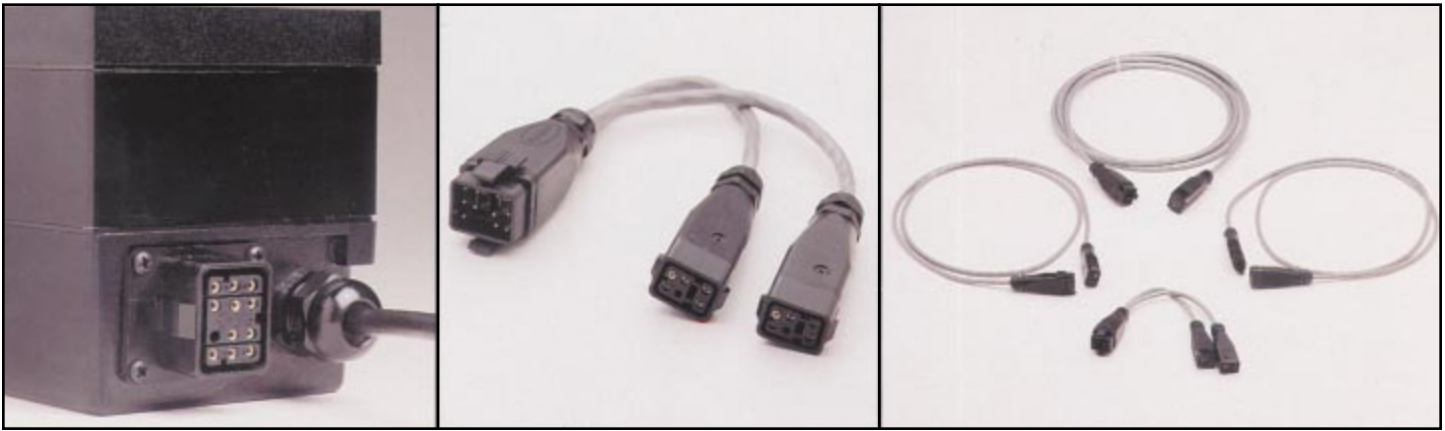
Using its unique mounting system, the TC-200 can be quickly installed and easily mounted almost anywhere - on a wall post, DIN rail or inside another electrical cabinet. Its single 12-pin connector and 120 ohm nickel RTD compatibility means the TC-200 is capable of controlling most Nordson RTD-style hoses and guns. The 151°-400°F (65°-204°C) control range makes the TC-200 versatile enough to handle numerous materials and applications. And for maximum flexibility in using different hose and gun configurations, a variety of extension and adapter cords, as well as a splitter cable, are available.



The TC-200 is as operator-friendly as it is flexible, featuring:

- Easy-to-use front panel with a bright, five character LED display.
- Digital temperature setpoint and readout, with the ability to select either °C or °F scales.
- Status and error messages to update operators.
- Option of display scanning both channels or holding on one.
- Individual LEDs for indication of operational conditions such as standby, temperature select, wait, and alarm.
- User-selectable overtemperature value, to a maximum of 405°F for both channels, protects against runaway temperature conditions;
- Unit-fault output signal alerts operator to malfunctions.
- Heating zone setpoint lockout prevents unauthorized setpoint temperature changes.
- Temperature standby mode, to a minimum of 151°F for both channels, reduces adhesive degradation.
- Remote temperature standby activation allows convenient interface to customer controls.
- Sleep (low energy) mode keeps diagnostics functional without heating.
- Remote sleep-mode activations allows automated startup and shutdown without expensive external power contractors.
- System-ready output signal reduces component stress.
- Quick-disconnect electrical plug eases servicing.

Nordson® TC-200 Two-channel Temperature Control



The versatile TC-200 features a plug-in connector and simplified power connection, making it easy to install virtually anywhere.

Splitter cables make it possible to operate a combination of two pieces of equipment using one electrical connection.

With an extensive variety of available cordsets, the TC-200 gains added flexibility for numerous configurations and applications.

More options, more choices, more of what you expect.

To meet specialized application needs, requiring multiple and/or high-wattage channels, Nordson also offers 9 and 14 channel free-standing temperature controls. Enhanced air temperature conditioning is also available for spray pattern application with Nordson Helix™ temperature and air preheating controls.

Specifications

Number of channels: 2
400°F (204°C) maximum

Operating Temperature Range:
151 - 400°F/65-204°C

Control:
Proportional/Integral for both channels

Input Power:
200-240 VAC 50/60 Hz
Single-phase only

Power Requirement:
(1200 Watts @ 230 VAC,
600 watts per channel)

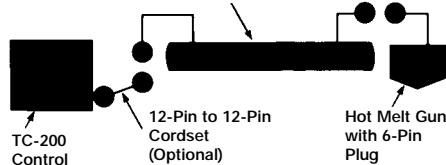
6-pin and 12-pin extension cordsets for the control of hoses and guns are available in the following lengths: 2, 6, 12, 18, 24, 30 feet, (12-pin only).

For the control of two guns, Nordson offers a one foot long 12-pin to two 6-pin splitter cables.

TC-200 System Configurations

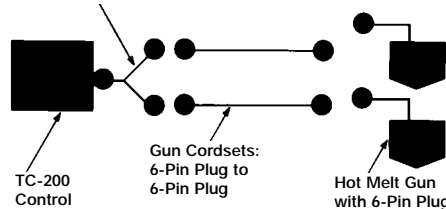
Control of Hose and Gun Pair

Hot Melt Hose with 12-Pin Plug on Unit End, 6-Pin Plug on Gun End



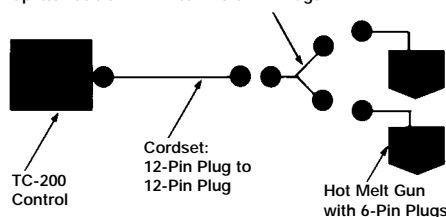
Control of Two Guns with Splitter Cable

Splitter Cable: 12-Pin to Two 6-Pin Plugs

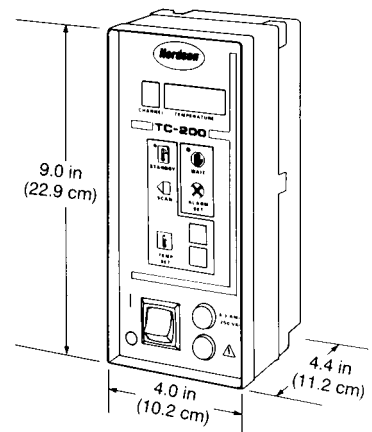


Control of Two Guns with Splitter Cable

Splitter Cable: 12-Pin to Two 6-Pin Plugs



Dimensions



Every TC-200 Includes The Nordson Package of Values.™

The Nordson Package of Values is an extensive support program designed to help customers maximize their productivity and profitability. It includes everything from operations and maintenance training, detailed technical manuals, a huge spare parts inventory, the added assurance of quick response through our toll-free Customer Service Center line and more.



Nordson Corporation
11475 Lakefield Drive
Duluth, Georgia 30097-1511
Toll Free (800) 683-2314
Internet: www.nordson.com