

Fillmaster™ Adhesive Feed System



Automated adhesive feed system maintains preset adhesive levels in adhesive melters to save operator time and assure uninterrupted production.



The Fillmaster system automatically refills adhesive melters, relieving operators from frequent tank filling chores and helping maintain adhesive thermal characteristics for proper bonding. The Fillmaster I system feeds one melter; the Fillmaster II can feed two melters.

When a low-level signal is detected in the adhesive melter, the Fillmaster system conveys adhesive by air to the melter tank until a sufficient quantity has been transferred. Cycle times are controllable, assuring that only small quantities of adhesive refresh the tank on a regular basis. This steady addition of small amounts of dry adhesive reduces the possibility of char, thermal shock and poor bonds caused by incorrect application temperatures.

The Fillmaster system will replenish adhesive only when the melter is at operating temperature, the air pressure is correct, and no alarm condition is detected. Large LEDs on the front panel visually indicate system conditions: power on, system ready, adhesive feeding, and alarm.

The system accepts adhesive pellets, pastilles and mini-slats, and permits easy changeover from one adhesive form to another. A 69 L (44 kg or 97 lb) holding tank can be filled from sacks or boxes commonly supplied by adhesive companies.

The Fillmaster system employs an advanced low-level sensor. By examining the melter tank surfaces both vertically and horizontally, this sensor gives a highly accurate reading of tank conditions.

Features and Benefits

- Automatic adhesive replenishment saves operator time, helps prevent thermal shock and adhesive degradation.
- Uninterrupted operation eliminates downtime due to empty adhesive melter tank.
- Eliminates missed beads and poor bonding due to melter tank running dry.
- Simple design reduces maintenance requirements.
- Enclosed adhesive reservoir reduces adhesive contamination from debris that can cause equipment problems and downtime.
- Easily installed with a minimum of disruption.
- Retrofits to Nordson 3400, 3500 and 3700 Series piston pump melters.

Unique Design Features (Patented)

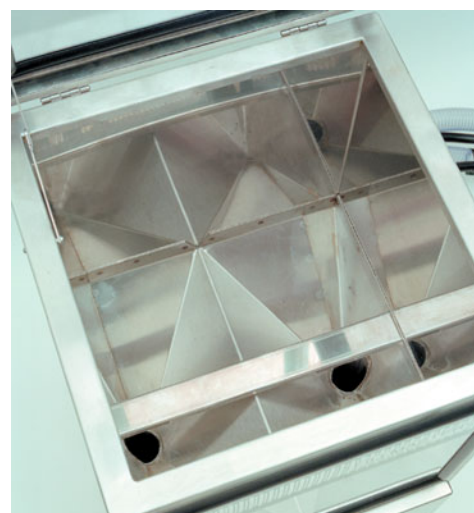
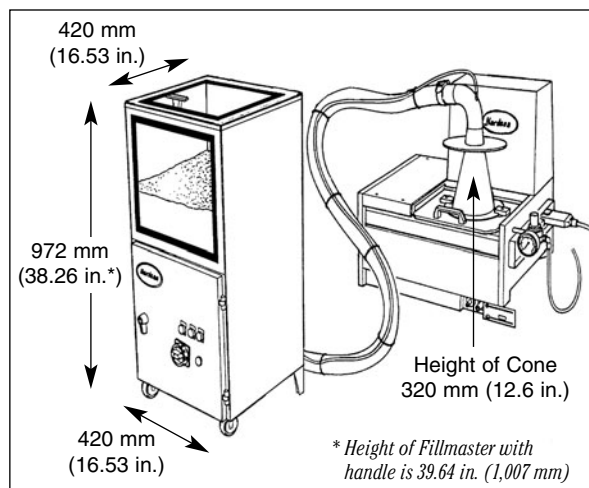
- Venturi pump design minimizes bridging by providing air bursts into the adhesive reservoir to keep adhesive flowing freely.
- Air supply to the cone provides a cooling effect, preventing adhesive from sticking to the cone.

Fillmaster™ Adhesive Feed System

Specifications

Adhesive Forms/Size	Pellets, pastilles, mini-slats: <12 mm x 12 mm (0.5 in. x 0.5 in.)
Adhesive Transfer	
Maximum Delivery Rate	100 kg (220 lb) / hour
Maximum Conveying Distance	10 m (33 ft) Horizontal: 7.5 m (24.6 ft) Vertical: 2.5 m (8.2 ft)
Transfer Hose	
Length	10 m (33 ft)
ID	40 mm (1.6 in.)
Operating air	
Operating Pressure	6-10 bar (0.6-1.0 MPa or 87-147 psi)
Air Supply Hose (ID)	13 mm (0.5 in.)
Air Consumption	0.4 cubic meters (14.1 SCFM) @ 5 shot durations (1.5 sec duration) & 10 sec intervals per min
Conditioning	Dry, non-lubricated
Electrical Service	120-230 VAC, 1 ph, 50/60 Hz, 1 A
Pump Type	Venturi
Noise Emission	80 dBA (3 sec)
Melters	Retrofits to Nordson 3400, 3500 and 3700 Series melters
Main Unit	
Holding capacity	69 L (44 kg or 97 lb)
Design	Stainless steel with casters, lockable cabinet
Weight	Approximately 43.0 kg (95 lb)
Screen Mesh Size	0.7 mm x 0.7 mm (0.03 in. x 0.03 in.)

Dimensions



The adhesive reservoir in the FillMaster II system is divided to provide independent feed to two melters.



For more information, talk with your Nordson representative or contact your Nordson regional office.

United States
Duluth, Georgia
Telephone: (800) 683-2314
Toll-free Facsimile:
(866) 667-3329

Canada
Markham, Ontario
Telephone: (800) 463-3200
Facsimile: (905) 475-8821

Europe
Erkrath, Germany
Telephone: (49) 211-9205-0
Facsimile: (49) 211-254658

Japan
Tokyo, Japan
Telephone: (81) 3-5762-2700
Facsimile: (81) 3-5762-2701

**Asia/Australia/
Latin America**
Amherst, Ohio
Telephone: (440) 985-4797
Facsimile: (440) 985-1096

www.nordson.com



When you expect more.®