

# Spare Parts for Obsoleted Units

## Series 2300 Piston Pump

### SP Pump 14:1 (Magnetic Shifter Since 1994)

P/N	Description
164610	Pump & Solenoid Assembly (230V)
161427	Pump Assembly, 14:1, (RBX # R161427)
164601	Pump Seal Kit (cups, gaskets, O-rings)
166880	Fork, Magnetic Shifter
155077	Magnetic Actuator Assembly (Shifter Assembly)
164606	• Magnetic Actuator
274669	Solenoid Valve Assembly

### Regulator with filter

P/N	Description
165769	Regulator/Filter Assembly
165735	Regulator/Filter only
165870	• Filter Element

### 14:1 Pump: Replacement Components

P/N	Description
276315	Shifter & Valve Assembly Contains:
276861	• 4-Way Air Valve
105519	• Poppet Seat Service Kit
274997	• Shifter & Spring Assembly
276317	Crossover Tube Kit Contains:
954013	• Backup Ring
940133	• O-Ring
503694	Siphon Ball Check Kit
274777	Piston Assembly
503708	Pressure Ball Check Kit
276314	Pump Seal Kit
274669	Pump Solenoid Valve

### Regulator

P/N	Description
274691	Regulator

## Series 2300 Manifold

### Manifold Components

P/N	Description
274686	Complete Manifold Assembly
274581	Filter Assembly with Filter Bung Contains:
274578	• Filter Screen, .006, 5.38"
941172	• O-ring, Viton
274513	• Bung Filter
274579	• Filter Core, 5.718 Long
276109	Pressure Relief Valve
941220	O-ring, Viton
276024	Drain Valve Assembly Contains:
986239	• Retaining Ring, Spiral
986501	• Retaining Ring, Int
940101	• O-ring (pkg 4)
954036	• Backup Ring, Single

*Note: Part Number 274578 is a standard filter screen for the Series 2300*

### Other Available Filter Screen Sizes

P/N	Description
276139	Filter Screen, .004 mesh size, 5.38 in. length
276138	Filter Screen, .009 mesh size, 5.38 in. length
276137	Filter Screen, .012 mesh size, 5.38 in. length
276136	Filter Screen, .015 mesh size, 5.38 in. length
276135	Filter Screen, .020 mesh size, 5.38 in. length

# Spare Parts for Obsolete Units

## Series 2300 Electrical Components Spare Parts – Circuit Boards

### Model 2302 for 2–hose, 2–gun units

P/N	RBX P/N	Description
276881	R276881	5 channel board
276882	R276882	5 channel board with temperature setback
276883	R276883	5 channel board with digital read-out

### Model 2304 for 4–hose, 4–gun units

P/N	RBX P/N	Description
276884	R276884	9 channel board
276885	R276885	9 channel board with temperature setback
276886	R276886	9 channel board with digital read-out

### Model 2305 for 5–hose, 5–gun units

P/N	RBX P/N	Description
276887	R276887	11 channel board
276888	R276888	11 channel board with temperature setback
276889	R276889	11 channel board with digital readout

### Model 2306 for 6–hose, 6–gun units

P/N	RBX P/N	Description
276890	R276890	13 channel board

### Other 2300 Circuit Board Components

P/N	Description
156274	Thermostat, tank
156273	RTD sensor, tank temperature
939644	Tank triac, 25 amp
139876	Fuse, inline at triac, .125 amp
939091	Fuse, .5, 250V
274585	Circuit breaker (main switch)
939646	Power on lamp, 240VAC
939683	Hose channel fuse, 6.5 amp



Model 2302

*Note: 2300 Series models are no longer manufactured. Please consider replacing with Series 3400 or Series 3500 units. Trade-in discounts may be available through your local sales representative.*

# Series 3000V (Vista™) and Series 3000 Melters

Series 3000 units and Series 3000V units with Vista controls are available in many sizes and designs with various optional features. Standard features include release-coated tanks, cast-in heaters, RTD temperature control, and standby temperature control.

Units are recognizable by the type of electronic controls displayed on the end panel.

## Series 3000 Vista Controls

### Standard Vista Control features include:

- Enhanced noise immunity
- 7-day clock
- ON/OFF keys for heaters and pumps
- Temperature standby
- Temperature alarm bands
- Advanced diagnostics for fault conditions
- 480V, 3 phase versions available



Standard Vista Panel

### Vista PC unit includes additional features:

- Integrated Pattern Control (PC)
- Standard or enhanced I/O boards for remote control
- Memory to store up to 99 patterns



### Vista TC (Temperature Control) units include:

- Modified version of Standard Vista Control Units



## 3000 MicroSet Controls

Series 3000 MicroSet units have been the industry standard for years. They have either UniScan™ or MultiScan© controls. UniScan is the basic version while MultiScan has more features and options. To the right are pictures of a UniScan Control unit and a MultiScan Control Unit.



# Series 3000V (Vista™) and Series 3000 Melters

## Unit Identification by Configuration Code

Since your Series 3000 or Series 3000V unit can have many different features and is available in many designs and configurations, your model number is **extremely** important. You can find your specific model number on the silver plate on the opposite end of the electronic control panel of your unit.

Major components and options are identified by a series of letters and numbers to make up your model number. The two samples below show a Series 3000 MicroSet Control configuration code and a Series 3000 Vista Control configuration code. Detailed explanations of all codes (Series 3000 Vista Control Units and MicroSet Control Units) are shown at the beginning of this section.

Once you know your Configuration Code you can locate the spare parts section for ordering replacement parts for any major assembly in your unit.

### Series 3000V (Vista Controls)

NORDSON CORP., AMHERST, OHIO, USA		POWER	REQUIRE-
UNIT NO.	3400V-1EAV2D/AH	MENTS	
		VOLTS (ac)	
SERIAL NO.		HZ	AMPS (Max.)
		0	WATTS (Max.)

Configuration Code Identification Sample  
(identified your model #)



Standard Vista Unit

3400V	1	E	A
V	2	D	/
AH			
Model	Voltage	Pump	Manifold
Temp	Hose	Language	
Option			
Control		Type	Code
Codes			

### Series 3000 (Microset Controls)

NORDSON CORP., AMHERST, OHIO, USA		POWER	REQUIRE-
UNIT NO.	3400-1EA32/ADE	MENTS	
		VOLTS (ac)	
SERIAL NO.		HZ	AMPS (Max.)
		0	WATTS (Max.)

Configuration Code Identification Sample  
(identified your model #)

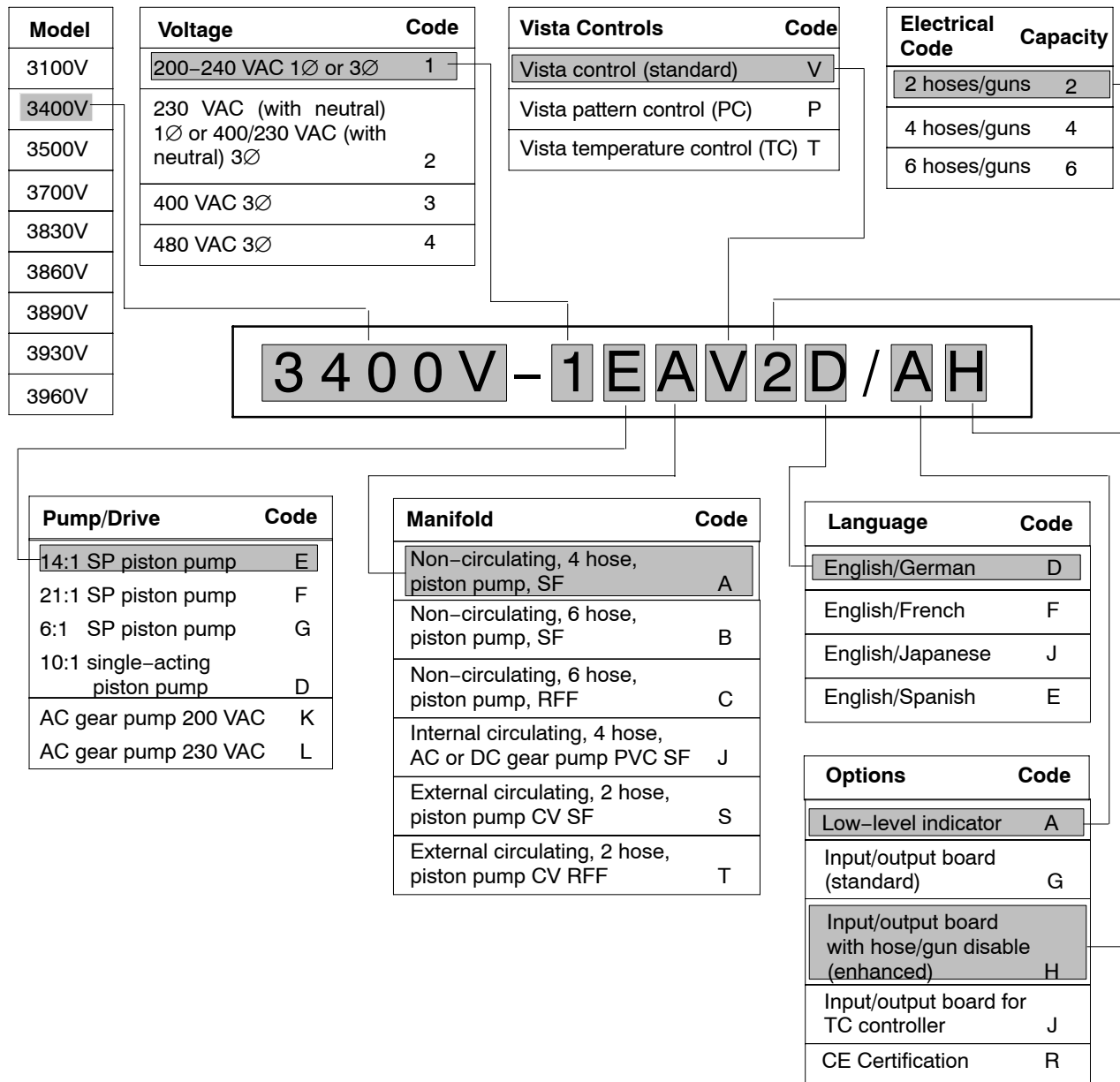


MultiScan Control

3400V	1	E	A
3	2	/	ADE
Model	Voltage	Pump	Manifold
Temp	Hose		Option
		Type	
Control			Codes

# Series 3000V (Vista™) and Series 3000 Melters

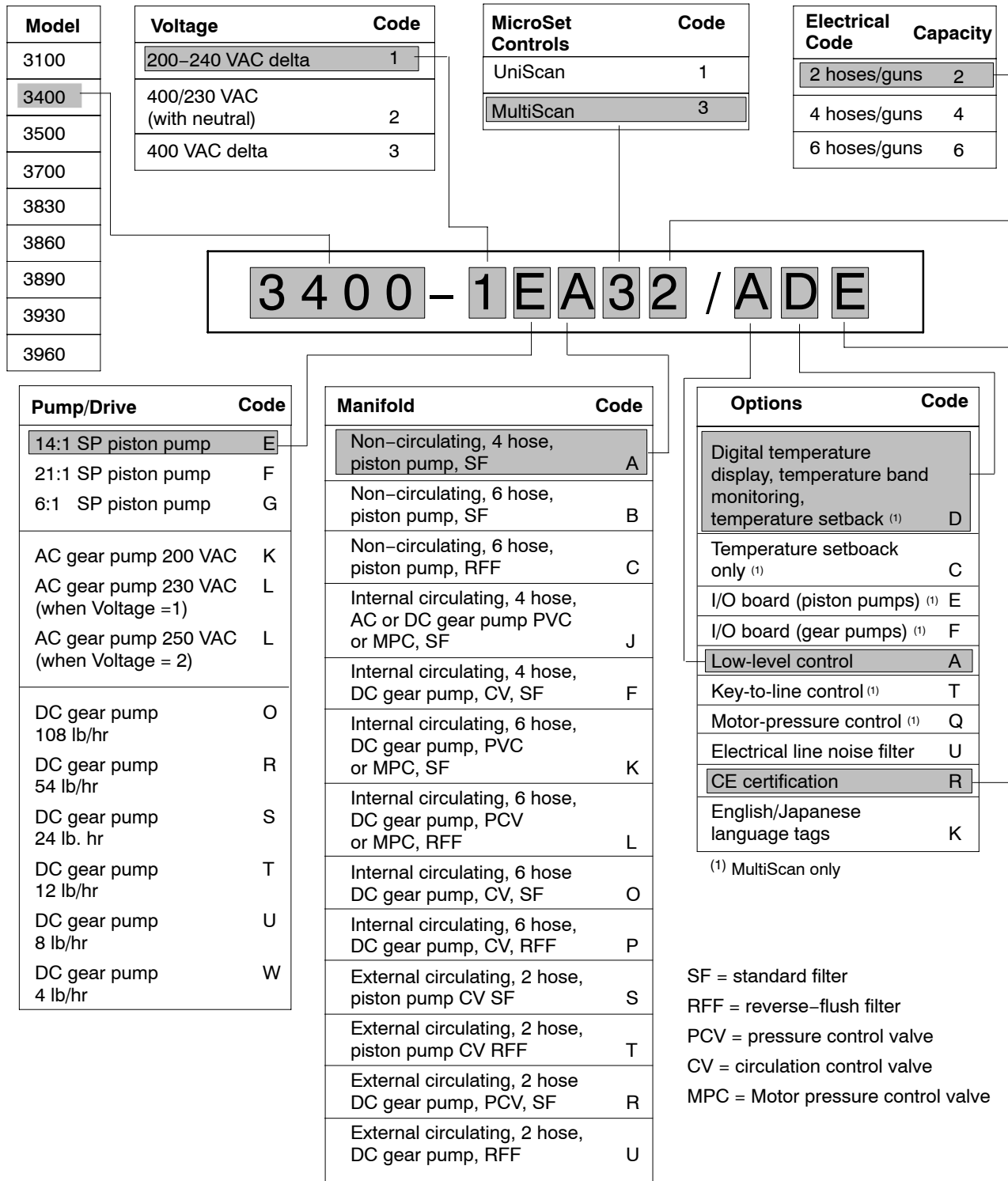
## Configuration Code Identification Sample for Vista Control Units



SF = standard filter	RFF = reverse-flush filter
PCV = pressure control valve	CV = circulation control valve

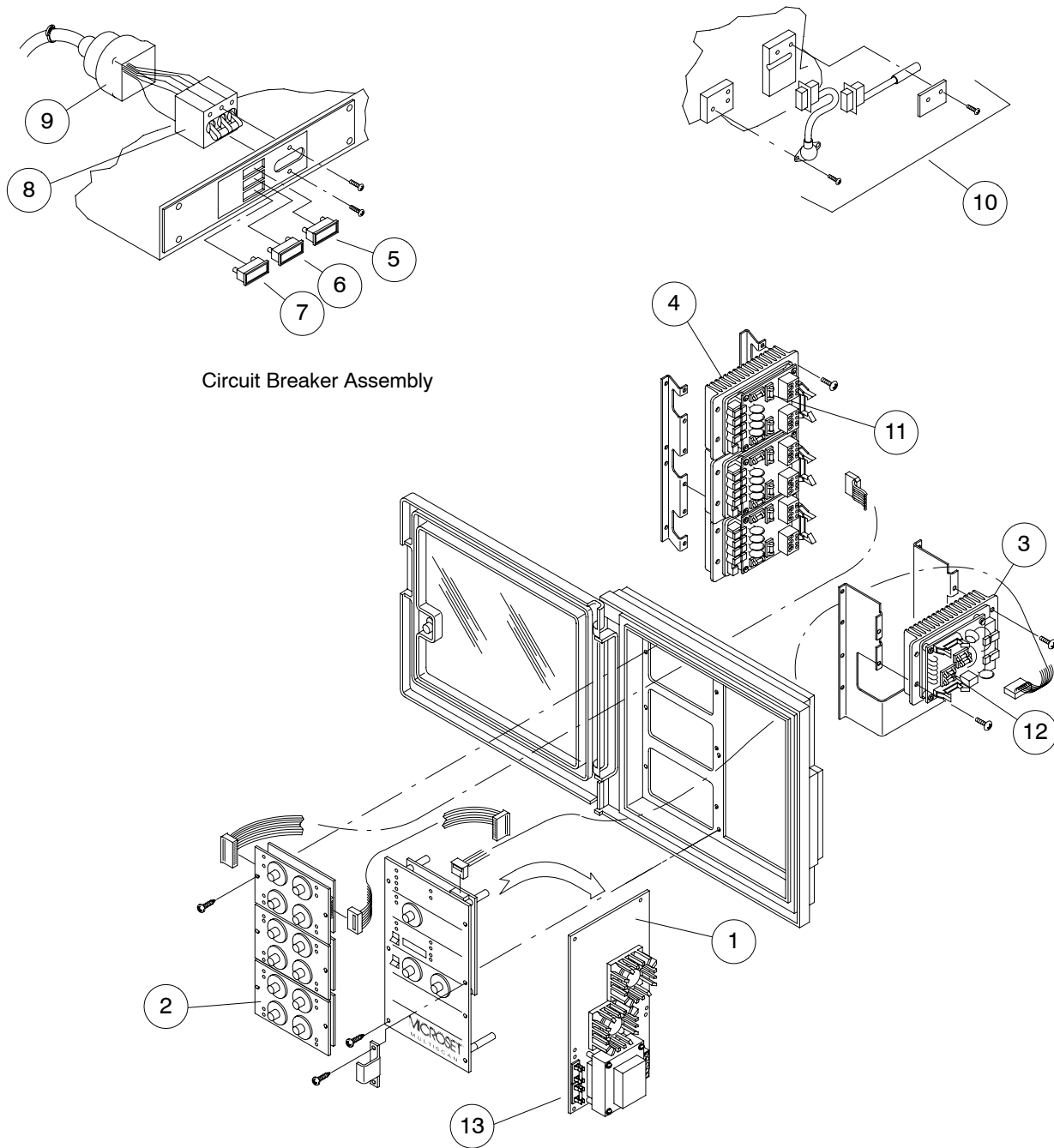
# Series 3000V (Vista™) and Series 3000 Melters

## Configuration Code Identification Sample for MultiScan® and UniScan® Control



# Series 3000V (Vista™) and Series 3000 Melters

MultiScan Electrical Components and Temperature Control Boards  
Standard in All Series 3000 Units



Circuit Breaker Assembly

- |   |                                 |
|---|---------------------------------|
| 1. Main control board                       | 8. Circuit breaker              |
| 2. Hose/gun control module                  | 9. Circuit breaker cover        |
| 3. Tank power module for main control board | 10. RTD/thermostat              |
| 4. Hose/gun power module                    | 11. Fuse, hose/gun power module |
| 5. White neon lamp                          | 12. Fuse, tank power board      |
| 6. Red neon lamp                            | 13. Fuse, main control board    |
| 7. Green neon lamp                          |                                 |

# Series 3000V (Vista™) and Series 3000 Melters

## MultiScan Microset Controls

Nordson has improved the main control board in Series 3000 MultiScan units. These boards have increased electrical noise immunity and enhanced system performance in low voltage situations. The boards shown below are standard in all units shipped mid-year 1996 and later.

### Standard Boards for all Series 3000 MultiScan units: (See previous page)

Ref. No.	Old Part Number	Old RBX Part Number	New Part Number	New RBX Part Number	Description
1	119928	R119928	183837		Main control board (unit)
2			183838	X183838	Hose/gun control board

*Warning: If you replace old board (119928) with a new circuit board (part 183837), you must purchase new Hose/gun control boards (part 183838) for all hose/gun channels (maximum of 3 boards for 6 hose/gun units).*

*Part 183838 can be purchased to use with the old main board. We recommend you use the new hose/gun control boards whenever you replace these in your unit.*

### Power Modules for Series 3000 MultiScan units: (Figure previous page)

Ref. No.	Part Number	RBX Part Number	Description
3	105646	R105646	Tank power module, 1-channel
4	105647	R105647	Hose/gun power module, 4-channel (one is needed for each 2 hose/2 gun board)
	135908		Power module, 2-channel

### Series 3000 Electrical Component (Figure previous page)

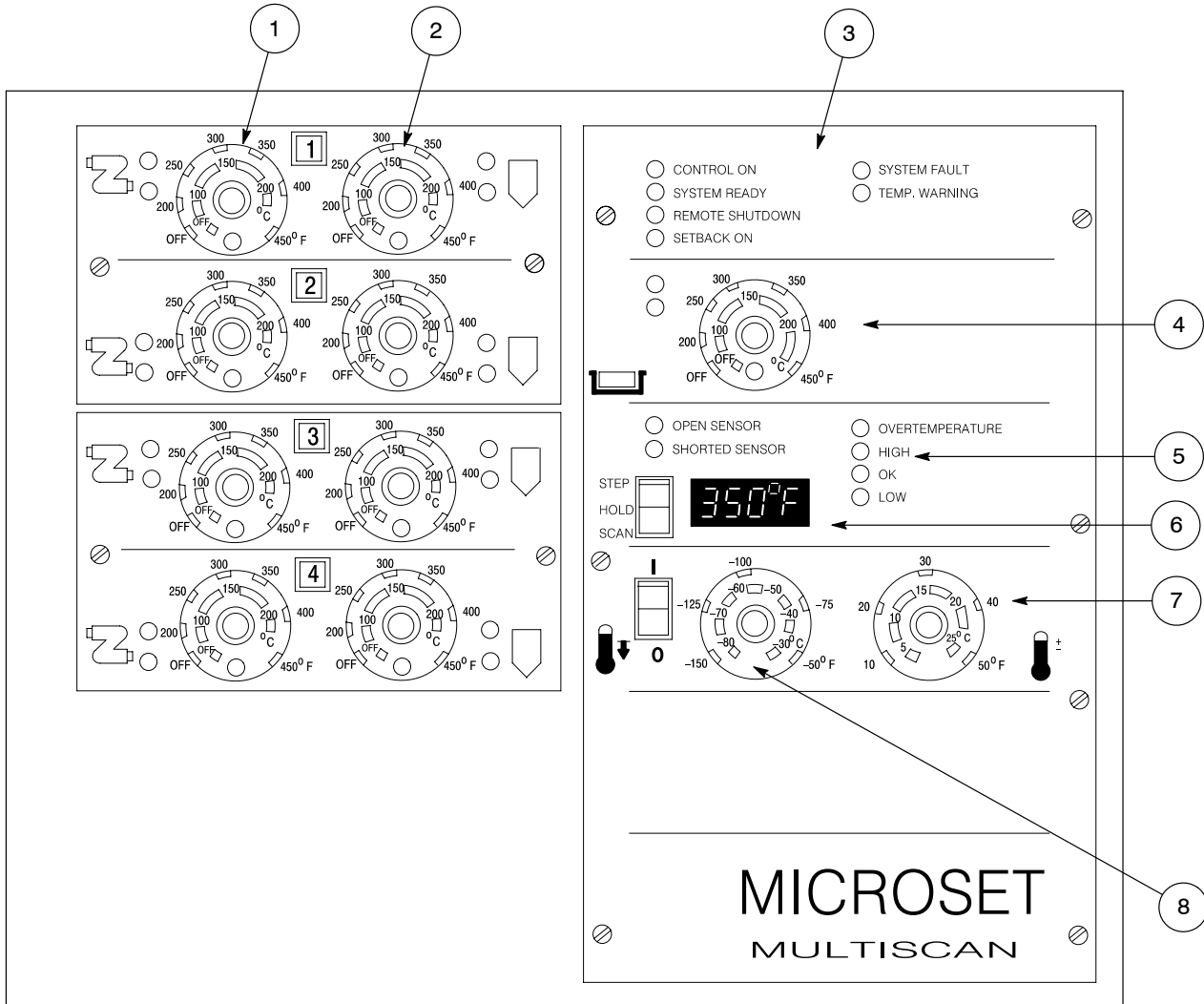
Ref. No.	Part Number	Description
5	105583 120413	Lamp display replacement kit (pkg of 6) contains: • Neon lamp, white (pkg 2)
6	120414	• Neon lamp, red (pkg 2)
7	120415	• Neon lamp, green (pkg 2)
8	143947 105625	Circuit breaker, 20 amp – V Code 3 • Circuit breaker, main switch with cover, 30 amp – V Code 1&2 (not grid)
9	132360	• 3960 grid
10	120424	• Circuit breaker cover
	105582 274667 982086 108907 108908	RTD sensor and tank thermostat kit contains: • Retainer plate • Pan head screw • Tank RTD temperature wire harness sensor • Tank overtemperature thermostat
11	121008 939683	Kit,Fuse (pkg of 4) • Fuse, 6.3 amp, hose/gun power module
12	163034 939113	Kit,Fuse (pkg of 4) • Fuse, 15 amp, tank power module (3100 & 3400 units)
13	121007 939708	Kit,Fuse (pkg of 4) • Fuse, 1 amp, main control board
	142445 939491	Kit,Fuse (pkg of 2) • Fuse, 25 amp, power module (3500, 3700, 3800, 3900 units)
	121047	Kit,Fuse (pkg of 4) .5 amp (single fuse – 939765)
	121046 114875	Kit,Fuse (pkg of 4) • Fuse, 5 amp, DC motor control interface with display board
	121045 114876	Kit,Fuse (pkg of 4) • Fuse, 4 amp, AC motor control interface with display board
	167133	Surge guard, 8 amp

# Series 3000 MicroSet Controls – MultiScan Melters

**MultiScan units** are recognized by having independent temperature control settings for each hose and gun as shown on the left side of the Sdisplay panel shown below. The temperature control panel on the right will vary depending upon the temperature control features of your unit based upon your model and pump style. The tables on the next page show the temperature control panel board part numbers for different styles of units.

Other control boards will be included with units that have optional motor and line functions. These boards are listed in the table at the bottom of the following page.

## MultiScan Display Panel (Code 3)



- 14. Hose temperature control
- 15. Gun temperature
- 16. System status indicators
- 17. Tank temperature

- 18. Channel status indicators
- 19. Digital readout (optional)
- 20. Temperature high/low monitor (optional)
- 21. Temperature setback control (optional)

## MultiScan Control

- 160–450 °F setpoint range
- Individual channel setpoints
- Microprocessor–based diagnostics
- Bright LED system–status lights by channel
- Proportional/derivative tank temperature control
- 2, 4 or 6 hose/gun capacity

# Series 3000 MicroSet Controls – MultiScan Melters

**Series 3000 MultiScan Temperature Control Boards** by unit type and temperature control features. The right panel of the MultiScan Units illustration shows which features your unit contains.

## Tank Units – 3100, 3400, 3500, 3700, 3800

Tank units with no “setback” or “digital display” options

Board Part No.	Unit Type
105658	Piston pump
120434	AC drive
120500	DC drive
120494	DC drive with motor pressure control (MPC)
132385	DC drive with key to line (KTL)

Tank units with “setback” option

Board Part No.	Unit Type
110040	Tank, piston pump
120435	Tank, AC drive
120501	Tank, DC drive
120495	Tank, DC/MPC
132386	Tank, DC/KTL

Tank units with “digital display and setback” options

Board Part No.	Unit Type
110039	Piston pump
120436	AC drive
120502	DC drive
120496	DC/MPC
132387	DC/KTL

## Grid Units – 3900

Grid units with no “setback” or “digital display” options

Board Part No.	Unit Type
132388	Piston pump
132392	AC drive
132399	DC drive
132403	DC/MPC
132406	DC/KTL

Grid units with “setback” option

Board Part No.	Unit Type
132389	Piston pump
132396	AC drive
132400	DC drive
132404	DC/MPC
132407	DC/KTL

Grid units with “digital display and setback” options

Board Part No.	Unit Type
132391	Piston pump
132398	AC drive
132401	DC drive
132405	DC/MPC
132409	DC/KTL

## Series 3000 MultiScan Control Boards for Motor and Line Control Functions

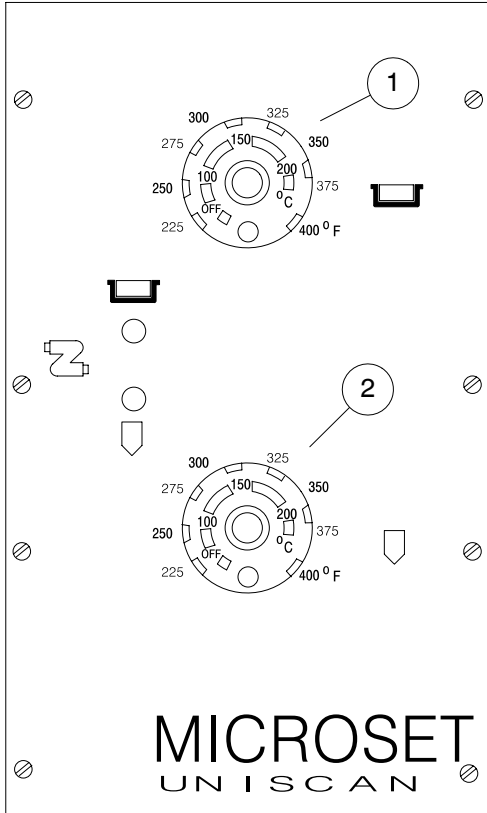
Part No.	Description
121589	AC motor control board
121591	DC motor control board
132591	DC motor control board with KTL (line speed control option)
121592	DC motor control board with MPC (motor pressure control option)
121044	Motor control interface board (MCIB)
120493	V to I board (voltage to current for MCIB transducer driver)
120491	DC drive module
126676	I/O options board for gear pump units
126675	I/O options board for piston pump units
143823	Voltage sensor board

# Series 3000 MicroSet Controls – UniScan Melters

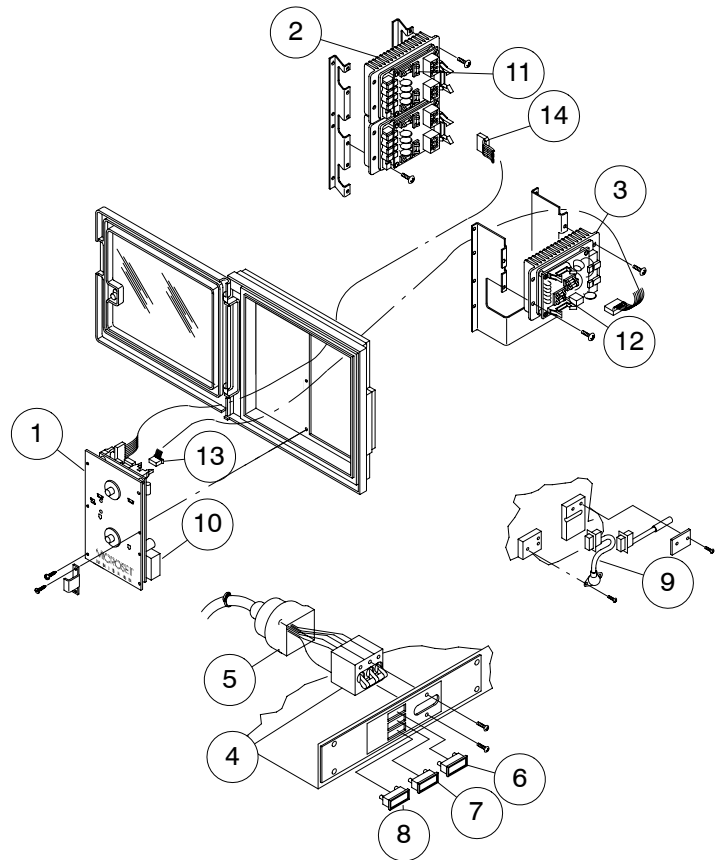
UniScan units have one control setting for hose and gun. Your display board will look like the one shown below.

## UniScan Display Board

- Tank/Hose temperature controller
- Gun/Hose temperature controller



## UniScan Boards/Electrical Components



## UniScan Control Features

- 220–400 °F setpoint range
- Selectable shared setpoints (hose & gun or hose & tank)
- Proportional temperature control
- System–fault sensing
- 2 or 4 gun/hose capacity

# Series 3000 MicroSet Controls – UniScan Melters

Your **Series 3000 temperature control** can be identified by the unit configuration code shown on the silver identification plate on your unit. Below is the location of the electrical code in the unit configuration code:

**3000 -XXX X / \_\_\_\_\_**  
**UniScan MicroSet Temperature Controls (Code 1)**

## Circuit Boards

Ref No.	Part Number	Description	RBX Part Number
1	105649	Main control board	R105649
2	105647	Hose/gun power module	R105647
3	105646	Tank power module	R105646

## UniScan Electrical Components

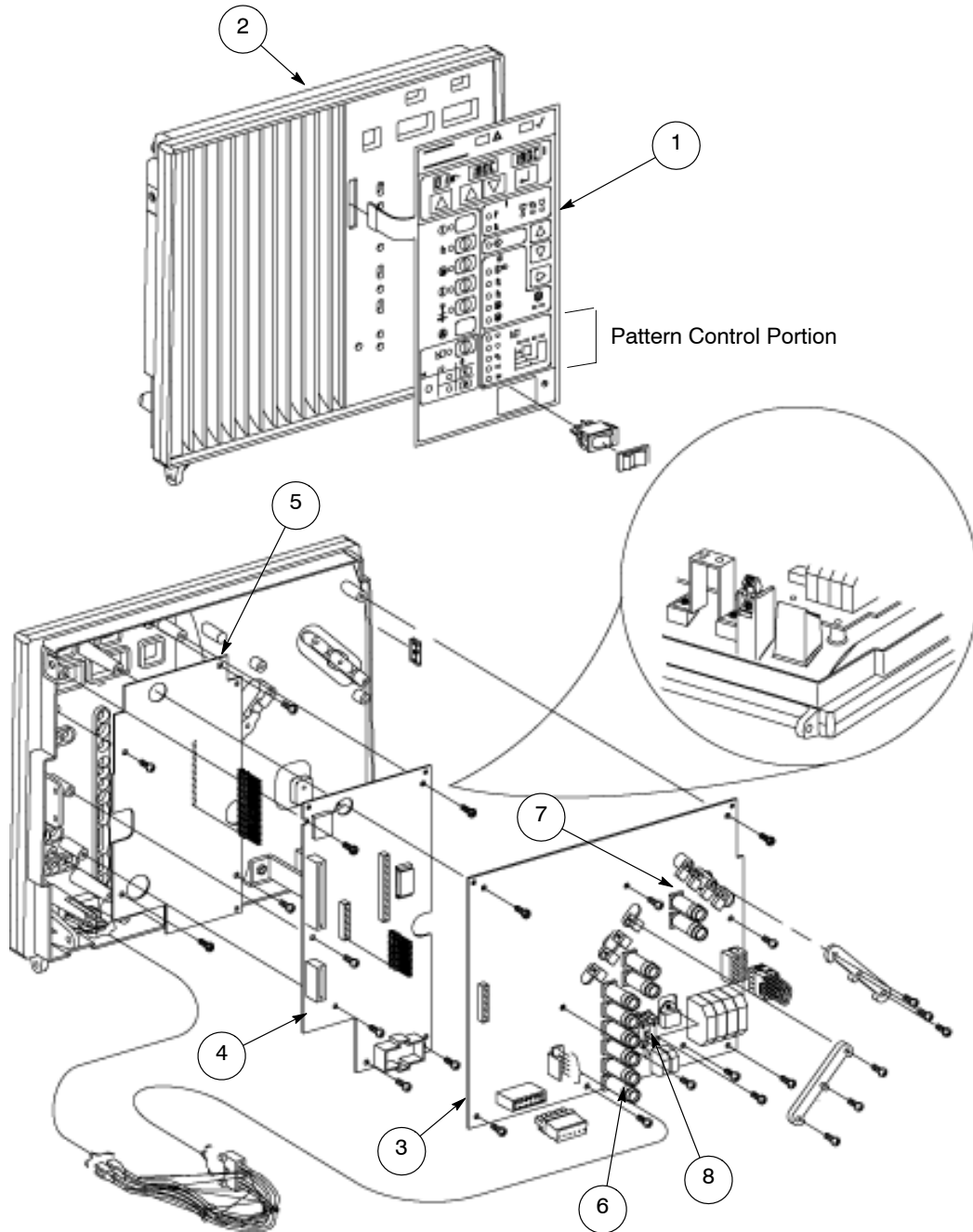
Ref No.	Part Number	Description
4	105625	Circuit breaker (main switch with cover)
5	120424	• Circuit Breaker Cover
	132360	3900 Unit circuit breaker
	105583	Lamp Display Replacement Kit
6	120413	• Neon lamp, white (pkg 2)
7	120414	• Neon lamp, red (pkg 2)
8	120415	• Neon lamp, green (pkg 2)
9	105582	RTD Sensor & Tank Thermostat Kit Contains:
	108907	• Tank temperature (RTD) sensor
	108908	• Overtemperature thermostat
	274667	• Retainer plate
	982086	• Pan head screw
10	121007	Kit, Fuse (pkg 4)
	939708	• Fuse, 1 amp, display board
11	121008	Kit, Fuse (pkg 4)
	939683	• Fuse, 6.3 amp, hose/gun power module
12	163034	Kit, Fuse (pkg 4)
	939113	• Fuse, 15 amp, tank power module
13	121590	Ribbon cable, 10-lead
14	121101	Ribbon cable, 20-lead

## UniScan Repair Kits

Part Number	Description
105674	Kit contains lamp, RTD, thermostat, fuse replacements
105675	Kit contains RTD, thermostat, neon lights, main control board, fuse replacements
107470	Kit contains fuse replacements

# Series 3000V Controls – Vista™ Units

## Vista Main Control Assembly (Shown for Vista PC)



Vista Standard units and Vista PC units have a different membrane panel (Vista PC, 1 above). Otherwise, the main Control Assembly for all three styles of Vista Control Units will have the same basic components shown above. Part numbers for components can vary. Check part numbers on the next page for specific numbers.

Control Board above does not show boards for optional features or unit specific boards.

# Series 3000V Controls – Vista™ Units

## Recommended Spare Parts

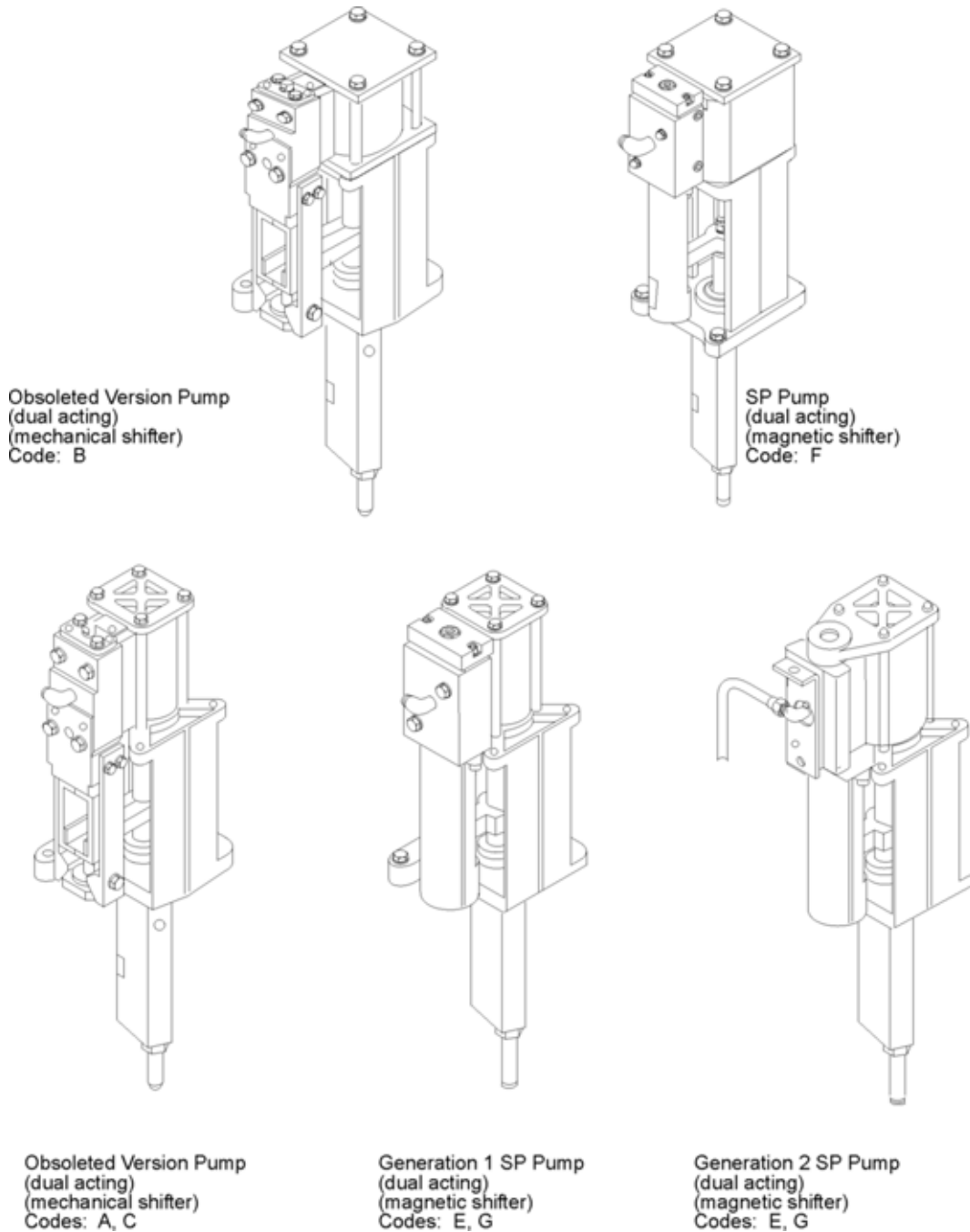
	Description	Standard or Pattern Control		TC
		Piston Pump Units Part Number	Gear Pump Units Part Number	Piston Pump Units Part Number
	<b>Circuit Boards</b>			
	Vista Control Stack (Standard units) (480V)	234428	326613	305607
		328921	N/A	328929
	Vista Control Stack (pattern control units) .. (480V)	297710	307075	N/A
		328923	N/A	N/A
1	Vista Membrane Panel (standard units)	225458	225458	232682
1	Vista Membrane panel (PC units)	227577	227577	N/A
2	Vista Control End Frame	234423	234423	234423
3	Vista Power Board	234427	234427	234427
4	Vista Control Board	234429	326614	248043
5	Vista Display Board (standard units)	234426	234426	248044
5	Vista Display Board (pattern control units)	247267	247267	N/A
	Contactor Board	247266	247266	247266
	Grid Power Board	247265	247265	N/A
	Pattern Control Engine Board	247263	247263	N/A
	Pattern Control Driver Board	247264	247264	N/A
	Standard Input/Output (I/O) Board	247261	247261	N/A
	Enhanced I/O Board	239494	239494	N/A
	TC I/O Board	N/A	N/A	248045
	Motor Control Board	N/A	326620	N/A
	5/6 Hose/Gun Board	247260	N/A	N/A
	400 VAC Tank Board	247262	N/A	247262
	480 VAC Tank Board	333342	N/A	N/A
	<b>Vista Electrical Components</b>			
	<b>Fuses</b>			
	<b>Power Board</b>			
6	Fuse, 1 Amp (2 required)	310904	310904	310904
7	Fuse, 6.3 A (8 required)	939683	939683	939683
8	Fuse, 25 A (2 required)	939491	939491	939491
	<b>Contactor Board</b>			
	Fuse, 25A (2 required)	939491	939491	939491
	Fuse, 30A (1 required)	939992	939992	939992
	<b>5/6 Hose/Gun Board</b>			
	Fuse, 6.3A (4 required)	939683	939683	N/A
	<b>Pattern Control Drive Board</b>			
	Fuse, 6.3A (2 required)	939683	939683	N/A
	Fuse, 1 A (1 required)	232515	232515	N/A
	<b>Motor Control Board</b>			
	Fuse, 4 A (2 required)	N/A	114876	N/A
	<b>480 VAC Distribution Board</b>			
	Fuse, 20A (3 required)	939021	N/A	N/A
	Fuse, 16A (1 required)	297747	N/A	N/A
	<b>RTD Service Kit</b>	108907	108907	108907
	<b>Thermostat Service Kit</b>	249800	249800	249800

# Series 3000 and Series 3000V Piston Pumps

Series 3000 and 3000V units are available with 14:1, 21:1, or 6:1 dual-acting piston pumps.

Nordson 3000 units originally had a mechanical shifter assembly to operate the pump. Units sold prior to 1994 had this type of pump.

In 1994 Nordson introduced the SP pump to replace the mechanical shifter pumps. The patented SP pump has a magnetic shifter that significantly reduces the possibility of the pump stalling. When you order a new complete pump assembly, you will receive the SP pump. You can still get repair components for the old-style mechanical shifter pump.



# Series 3000 and 3000V Piston Pumps

Your Series 3000 or 3000V pump can be identified by the unit configuration code shown on the silver identification plate on your unit. Below is the location of the pump code in the unit configuration code:

3000 – X ■ XXX/ \_ \_ \_

SP pumps are designated as configuration code letter E, F or G. When ordering a replacement SP pump, we recommend that you also order a filter/regulator.

Description	SP Dual Acting Pumps						SP Single Acting
	14:1 (Code E)		21:1 (Code F)		6:1 (Code G)		10:1 (Code D)
	Part Number	RBX Pt Number	Part Number	RBX Pt Number	Part Number	RBX Pt Number	Part Number
Pump Assembly	161424	X161424	164683	X164683	164684	X164684	138235
Pump Seal Kit	164601		164685		167999		138160
• Pump Retainer	986602						138150
Fork, Magnetic Shifter	166880		170641		166880		
Magnetic Actuator Assembly	155077		155077		155077		
• Magnetic Actuator	164606		164606		164606		
Crossover Tube	288031		288031		288031		288031
Regulator/Filter Assembly <sup>(1)</sup>							
• 1–4 hose units	165871		165873		165871		165871
• 5–6 hose units	165872		165874		165872		165872
Service Kit, Pump D, 10:1 with solenoid valve							
• 3500V <sup>(2)</sup>							336937
• 3700V <sup>(2)</sup>							336936
• 3930V							1002555
• 3860V							344042

<sup>(1)</sup> All regulator and filter assemblies contain a regulator with filter (part 165735) and a filter element (part 165870)

<sup>(2)</sup> Pump and solenoid available as separate assemblies in Uptime Plus Pack (part 138235).

## Solenoid Kits

MultiScan			Vista		
14:1	230VC1	164610	14:1	230VC1–4	1017845
	230VC2	165758			
6:1	230VC1	164610	6:1	230VC1–4	1017845
	23VC2	165758			
21:1	230VC1	132384	21:1	230VC1–4	237293
	230VC2	132384			
10:1		336935	10:1		336935

# Series 3000 and Series 3000V Piston Pumps

## SP Series Piston Pumps

Mechanical Style pumps are designated as A, B, or C. These pumps are obsoleted (see diagram). Replacement components still available for these obsoleted pumps are listed below.

If you need a complete new pump, order the SP pump versions designated as E, F, or G on this page.

### Components for Piston Pumps with Configuration Codes: A, B, C (Obsoleted Pumps)

#### Pump Code A = 14:1 Dual Acting Piston Pump

(Replacement pump is SP 14:1 Code E, P/N 161424)

Part Number	Description
105450	Pump Seal Kit
105451	Crossover Tube Kit
105452	Seat & Ball Replacement Kit
105453	Hydraulic Pump Piston Replacement
288027	• Piston Assembly, Hydraulic Pump
120306	Backup & O-ring for Crossover Tube
120599	Pump Mount Replacement
105448	Air Cylinder: Washer and Gasket Replacement Kit
105449	Lock Nut/Washer Replacement
105454	Block/Washer Replacement Kit
276315	Valve/Shifter Assembly
276861	• Air Control Valve Assembly
274997	• Shifter & Spring Assembly
274669	Solenoid Valve Assembly

#### Pump Code B = 21:1 Dual Acting Piston Pump

(Replacement Pump is SP 21:1 Code F, P/N 164683)

Part Number	Description
105458	Pump Seal Kit
105451	Crossover Tube Kit
105459	Seat & Ball Replacement Kit
142139	Hydraulic Pump Piston Replacement
120306	Backup & O-ring for Crossover Tube
141062	Pump Mount Replacement
105457	Air Cylinder: Washer and Gasket Replacement Kit
105449	Lock Nut/Washer Replacement
105454	Block/Washer Replacement Kit
276315	Valve/Shifter Assembly
276861	• Air Control Valve Assembly
274997	• Shifter & Spring Assembly
132384	Solenoid Valve Assembly

#### Pump Code C = 6:1 Dual Acting Piston Pump

(Replacement Pump is SP 6:1 Code G, P/N 164684)

Part Number	Description
105458	Pump Seal Kit
105451	Crossover Tube Kit
105459	Seat & Ball Replacement Kit
118671	Hydraulic Pump Piston Replacement
120306	Backup & O-ring for Crossover Tube
120599	Pump Mount Replacement
118670	Air Cylinder: Washer and Gasket Replacement Kit
105454	Block/Washer Replacement Kit
276315	Valve/Shifter Assembly
276861	• Air Control Valve Assembly
274997	• Shifter & Spring Assembly
274669	Solenoid Valve Assembly

# Series 3000 and Series 3000V Gear Pumps

## 1/3 HP AC Motor/Gear Pump

Series 3000 units were available with AC or DC gear pumps. The identification of your pump type is on your unit serial plate. Your pump type will be designated as follows:

### Gear Pump and Motor Assemblies

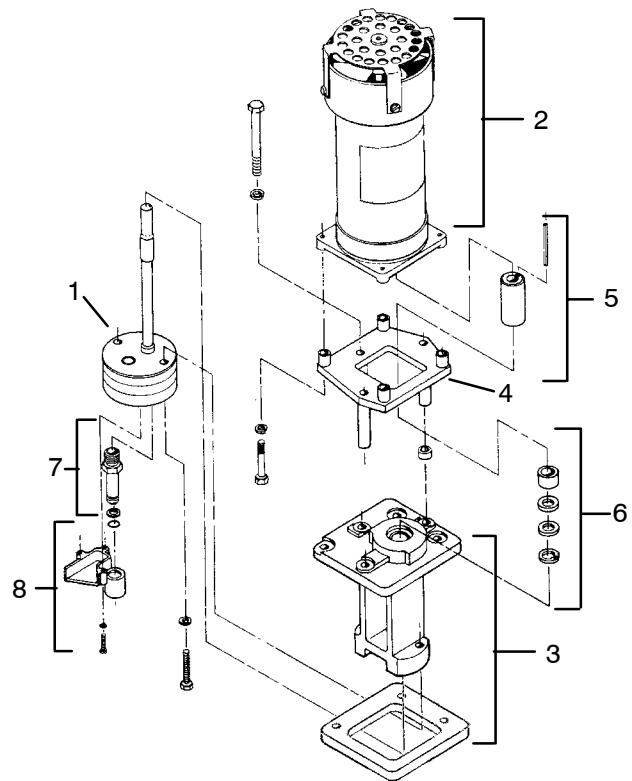
Configuration Code

3000 - X ■ XXX/ \_ \_ \_

Code	Description	Pump Output lb/hr	Part Number
K	1/3 HP AC 200V	54	130592
L	1/3 HP AC 230V	54	120475

### 1/3 HP AC Motor/Gear Pump Assemblies

Item No.	Part Number	Description
	130592	Complete Motor/Pump Assembly <i>Pump K Contains:</i>
1	120461	• AC Pump
2	130593	• Motor, AC, 200V
5	120460	• Coupling & Key Replacement
6	120458	• Seal & Bushing Kits
	120475	Complete Motor/Pump Assembly <i>Pump L Contains:</i>
1	120461	• AC Pump
2	120476	• Motor, AC, 230V
5	120460	• Coupling & Key Replacement
6	120458	• Seal & Bushing Kits



AC Motor/Gear Pump

### AC Pump & Motor Kits

Item No.	Part Number	Description
3	120471	Pump Mount
4	120470	Motor Mount Support Kit
7	120377	Crossover Tube Replacement
8	120380	Return Tube Replacement
	142316	Air Fan Replacement

# Series 3000 and Series 3000V Gear Pumps

## 3/4 HP DC Motor/Gear Pump

Series 3000 units were available with AC or DC gear pumps. The identification of your pump type is on your unit serial plate. Your pump type will be designated as follows.

## Gear Pump and Motor Assemblies

Configuration Code

3000 - X ■ XXX/ \_ \_ \_

Code	Description	Pump Output lb/hr	Part Number
O	3/4 HP DC	108	120366
R	3/4 HP DC	54	131609
S	3/4 HP DC	24	131610
T	3/4 HP DC	12	134908
U	3/4 HP DC	8	134909
W	3/4 HP DC	4	134910

## Gear Pump Assemblies

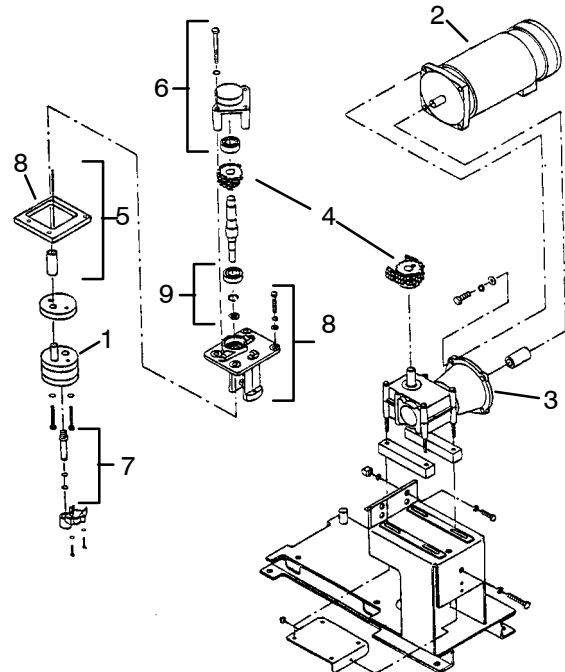
Item No.	Part Number	Description
1	120372	Pump O, DC, 108 lb/hr output
1	131611	Pump R, DC, 54 lb/hr output
1	131612	Pump S, DC, 24 lb/hr output
1	131612	Pump T, DC, 12 lb/hr output
1	131612	Pump U, DC, 8 lb/hr output
1	131612	Pump W, DC, 4 lb/hr output
2	120370	Motor, 3/4 HP DC

## Speed Reducers

Item No.	Part Number	Description
3	120371	Pumps R, S, O, 10:1 Reduction
3	131606	Pump T, 20:1 Reduction
3	131607	Pump U, 30:1 Reduction
3	131608	Pump W, 60:1 Reduction

## DC Motor/Pump Component Kits

Item No.	Part Number	Description
4	120367	Chain & Sprocket Kit
5	120369	Coupling Assembly
6	120394	Motor Mount
7	120377	Crossover Tube Replacement Kit
8	120389	Gear Pump Mount for Series 3400,3500, 3700 units
8	139577	Gear Pump Mount for Series 3800,3900 units
9	120368	Bearing Replacement Kit
	113034	Motor Brush Service Kit



DC Motor/Gear Pump

# Series 3000 and Series 3000V Manifolds

## Manifold Configuration Code

A manifold directs the flow of melted, filtered adhesive to as many as six hoses. The manifold has a 45-degree face for easy hose routing, and connecting elbows allow hoses to be positioned either horizontally or vertically. In addition, a pressure-relief valve transfers melted material to the tank when system pressure exceeds 1500 psi.

3000 – X X  XX/ \_ \_ \_

Manifold Description	Manifold	Manifold Assemblies*	
	Code	Part Number	Part Number with MPC
Non-circulating, 4 hose, piston pump, SF	A	105413	
Non-circulating, 6 hose, piston pump, SF	B	105436	
Non-circulating, 6 hose, piston pump, RFF	C	105442	
Internal circulating, 4 hose, AC or DC gear pump, PCV or MPC, SF	J	120294	136626
Internal circulating, 4 hose, DC gear pump, CV, SF	F	136628	
Internal circulating, 6 hose, DC gear pump, PCV or MPC, SF	K	120321	120323
Internal circulating, 6 hose, DC gear pump, PCV or MPC, RFF	L	120351	120350
Internal circulating, 6 hose, DC gear pump, CV, SF	O	120322	
Internal circulating, 6 hose, DC gear pump, CV, RFF	P	120352	
External circulating, 2 hose, piston pump, CV, SF	S	134756	
External circulating, 2 hose, piston pump, CV, RFF	T	134757	
External circulating, 2 hose, DC gear pump, PCV, SF	R	134758	
External circulating, 2 hose, DC gear pump, PCV, RFF	U	134759	

SF = Standard Filter

RFF = Reverse-Flush Filter

PCV = Pressure Control Valve

CV = Circulation Control Valve

MPC = Motor Pressure Control

### **\*Important Product Notice**

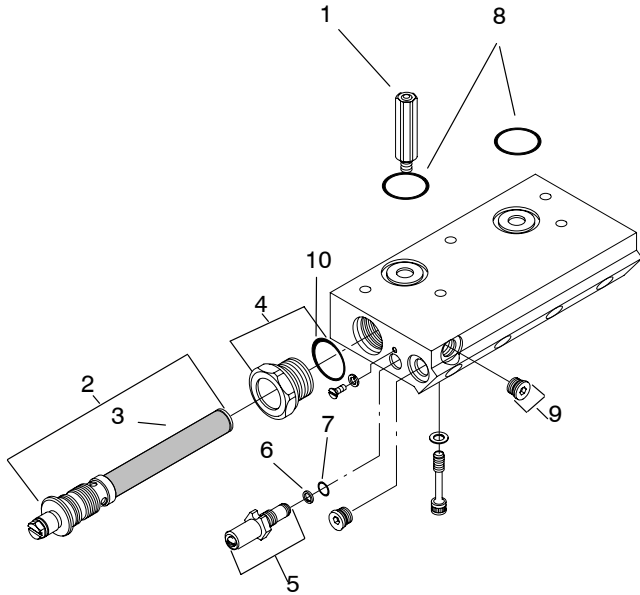
All manifold designs (except A,B,C) received an improved pressure relief valve at the beginning of 1999. The improved valve is not retrofittable to manifolds built before 1999. Be careful to use the correct valve for your manifold to prevent damage to the manifold.

In the following pages a “\* ” denotes the newer model pressure relief valve design.

# Series 3000 and Series 3000V Manifolds

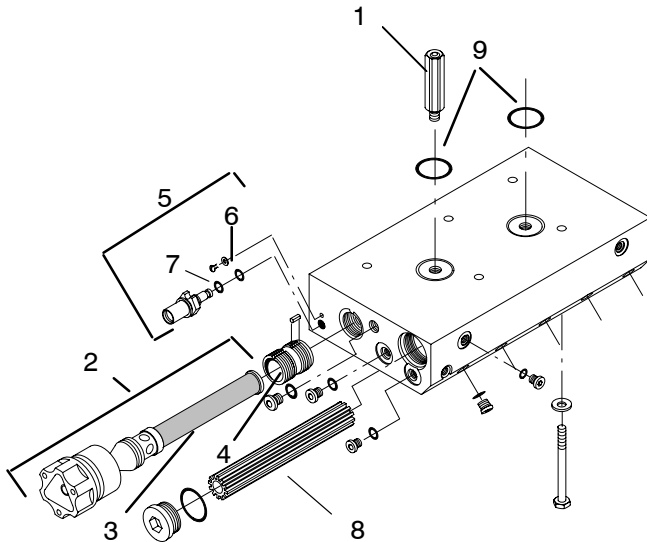
Components for your **Series 3000 manifold** are dependent upon the type of manifold used on your unit. Check your manifold configuration code and then select the appropriate part numbers for your specific manifold.

## Manifold Assembly A



**Code A** = Non-circulating, 4 hose, piston pump, standard filter

Item No.	Part Number	Description
1	120324	PRV (Pressure Relief Valve)
2	105432	Standard Filter Assembly
3	274578	Filter Screen, .006 Mesh
4	105433	Filter Bung Adapter with O-ring
5	276024	Drain Valve Assembly Contains:
6	954036	• Back-up Ring
7	940101	• O-ring Viton
	986239	• Retaining Ring, Spiral
	105434	Filter Screen & O-rings Kit
8	105523	Pkg of 5 O-rings
	940281	• O-ring, Viton, 1.375 x 1.50 x .063
9	105415	Plug, O-ring, 9/16, pkg. of 8
10	105525	O-ring, Vinton (pkg of 4)

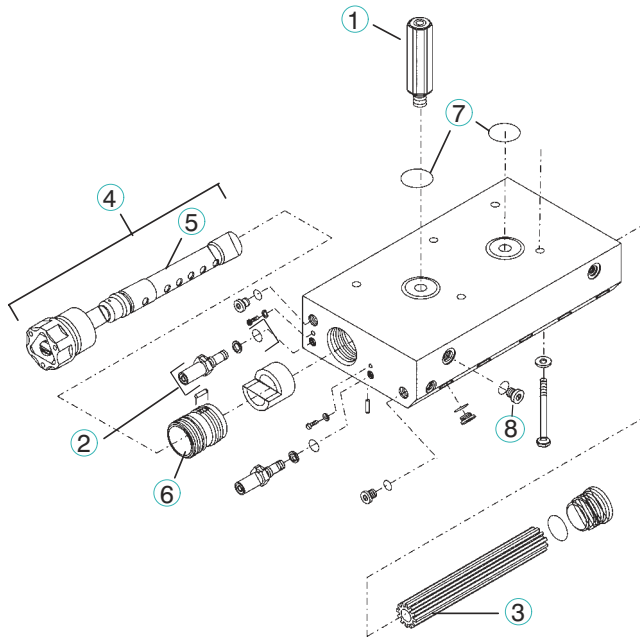


**Code B** = Non-circulating, 6 hose, piston pump, standard filter

Item No.	Part Number	Description
1	120324	PRV (Pressure Relief Valve)
2	105438	Standard Filter Assembly
3	274578	Filter Screen, .006 Mesh
4	105439	Filter Bung Adapter Kit
5	276024	Drain Valve Assembly Contains:
6	940101	• O-ring Viton
7	954036	• Back-up Ring
	986239	• Retaining Ring, Spiral
	109729	Filter Screen & O-rings Kit
8	288109	Heat Exchanger
9	105523	Pkg of 5 O-rings
	940281	• O-ring, Viton, 1.375 x 1.50 x .063
10	105415	Plug, O-ring, 9/16, pkg. of 8

# Series 3000 and Series 3000V Manifolds

## Manifold Assembly C

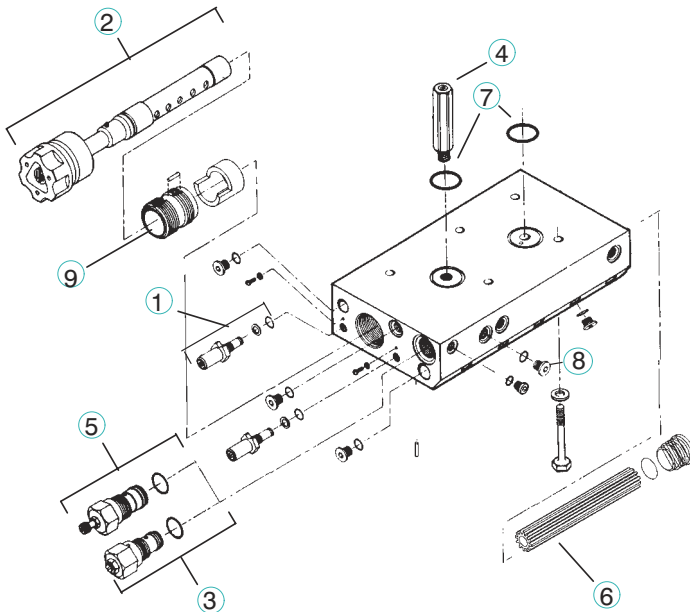


**Code C** = Non-circulating, 6 hose, piston pump, reverse flush filter

Item No.	Part Number	Description
1	120324	PRV (Pressure Relief Valve)
2	276024	Drain Valve Assembly Contains:
	940101	• O-ring Viton
	954036	• Back-up Ring
	986239	• Retaining Ring, Spiral
3	288109	Heat Exchanger
4	105443	Reverse Flush Filter Assembly
5	288092	• Filter Screen, .006 mesh
6	288094	Filter Bung
	941201	O-ring, Viton
	105445	Filter Screen Spring and O-ring kit
	105523	Pkg of 5 O-rings
7	940281	• O-ring, Viton, 1.375 x 1.50 x .063
8	105415	Plug, O-ring, 9/16, pkg. of 8

## Manifold Assemblies U & T

(Code U is not available in Series 3000V)



**Code U** = External circulating, 2 hose, DC gear pump, pressure control valve, reverse flush filter

**Code T** = External circulating, 2 hose, piston pump, circulation valve, reverse flush filter

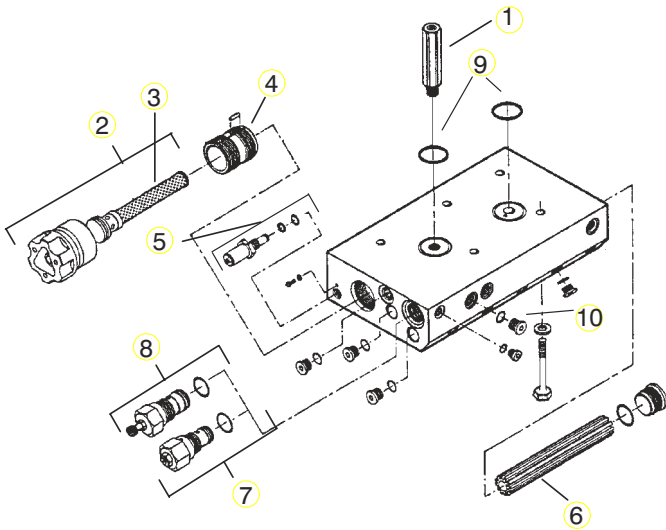
Item No.	Part Number	Description
1	276024	Drain Valve Assembly Contains:
	940101	• O-ring Viton
	954036	• Back-up Ring
	986239	• Retaining Ring, Spiral
2	105443	Reverse Flush Filter Assembly
	288092	• Filter Screen, .006 mesh
	941201	O-ring, Viton
3	120325	CV (Circulation Valve) – T only
	120297	• O-ring
4	120324	PRV (Pressure Relief Valve)
	306827*	PRV (Pressure Relief Valve)
5	120302	PCV (Pressure Control Valve) – U only
6	288109	Heat Exchanger
	105523	Pkg of 4 O-rings
7	940281	• O-ring, Viton, 1.375 x 1.50 x .063
8	105415	Plug, O-ring, 9/16, pkg. of 8
9	288094	Filter Bung

\* new pressure relief valve design

# Series 3000 Manifolds

## Manifold Assemblies R & S

(Code R is not available in Series 3000V)



**Code R** = External circulating, 2 hose, DC gear pump, pressure control valve, standard filter

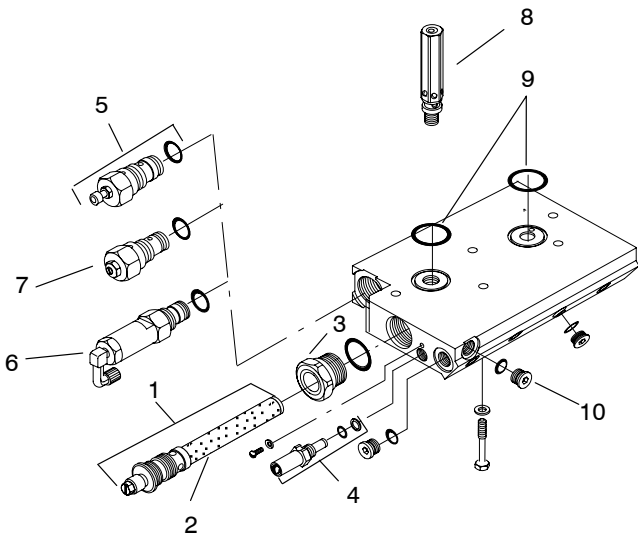
**Code S** = External circulating, 2 hose, piston pump, circulation valve, standard filter

Item No.	Part Number	Description
1	120324	PRV (Pressure Relief Valve)
	306827*	PRV (Pressure Relief Valve)
2	105438	Standard Filter Assembly
3	274578	Filter Screen, .006 mesh
	941201	O-ring, Viton
4	105439	Filter Bung Adapter
5	276024	Drain Valve Assembly Contains:
	940101	• O-ring Viton
	954036	• Back-up Ring
	986239	• Retaining Ring, Spiral
6	288109	Heat Exchanger
	120325	CV (Circulation Valves) – S only
7	120297	• O-ring
	120302	PCV (Pressure Control Valve) – R only
8	105523	Pkg of 5 O-rings
	940281	• O-ring, Viton, 1.375 x 1.50 x .063
10	105415	Plug, O-ring, 9/16, pkg. of 8

\*New pressure relief valve design

## Manifold Assemblies F & J

(Code F is not available in Series 3000V)



**Code F** = Internal circulating, 4 hose, DC gear pump, circulation valve, standard filter

**Code J** = Internal circulating, 4 hose, AC or DC gear pump, pressure control valve or motor pressure control, standard filter

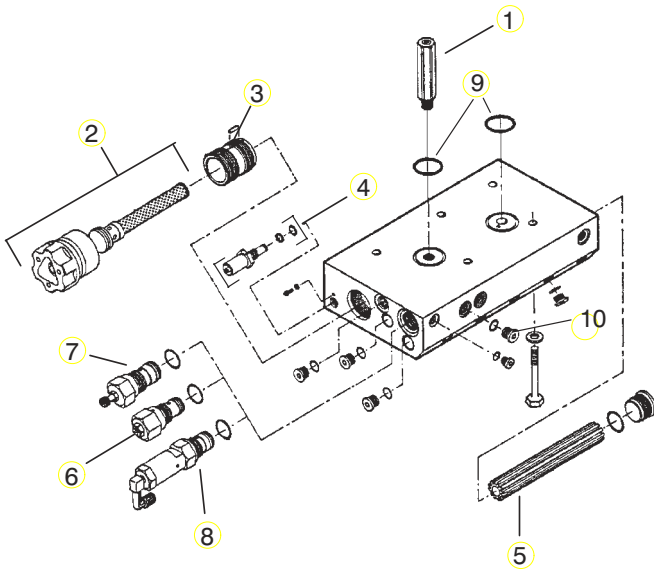
Item No.	Part Number	Description
1	105432	Standard Filter Assembly
2	274578	Filter Screen, .006 Mesh
	105433	Filter Bung Adapter
3	941172	O-ring, Viton
	276024	Drain Valve Assembly Contains:
4	940101	• O-ring Viton
	954036	• Back-up Ring
	986239	• Retaining Ring, Spiral
	105434	Filter Screen & O-rings Kit
5	120302	PCV (Pressure Control Valve) – J only
6	120326	MPC (Motor Pressure Control) – J only
7	120325	CV (Circulation Valve) – F only
8	120324	PRV (Pressure Relief Valve)
	306827*	PRV (Pressure Relief Valve)
9	105525	Pkg of 5 O-rings
	941220	• O-ring, Viton, 1.125 x 1.313 x .094
10	105415	Plug, O-ring, 9/16, pkg. of 8

\*New pressure relief valve design

# Series 3000 Manifolds

## Manifold Assemblies K & O

(Not available in Series 3000V)



**Code K** = Internal circulating, 6 hose, DC gear pump, pressure control valve or motor pressure control, standard filter

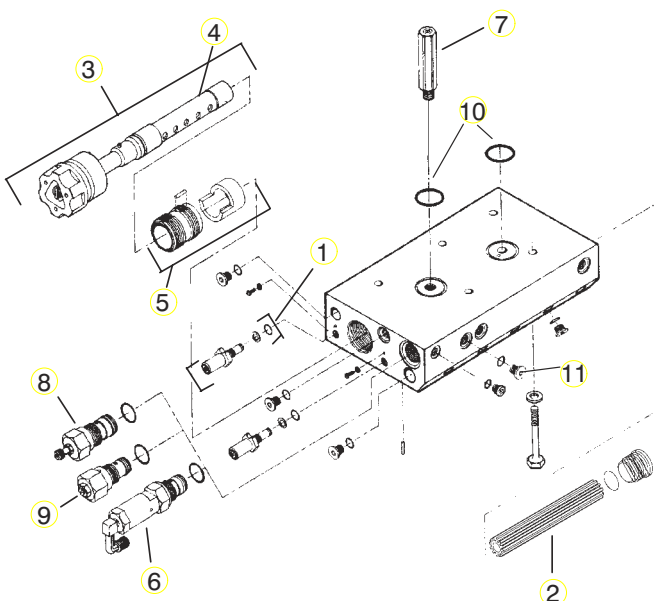
**Code O** = Internal circulating, 6 hose, DC gear pump, circulation valve, standard filter

Item No.	Part Number	Description
1	120324	PRV (Pressure Relief Valve)
	306827*	PRV (Pressure Relief Valve)
	105438	Standard Filter Assembly
2	274578	Filter Screen, .006 mesh
3	105439	Filter Bung Adapter
4	276024	Drain Valve Assembly Contains:
	940101	• O-ring Viton
	954036	• Back-up Ring
	986239	• Retaining Ring, Spiral
5	288109	Heat Exchanger
6	120325	CV (Circulation Valve) – O only
7	120302	PCV (Pressure Control Valve) –K only
8	120326	MPC (Motor Pressure Control) –K only
9	105523	Pkg of 5 O-rings
	940281	• O-ring, Viton, 1.375 x 1.50 x .063
10	105415	Plug, O-ring, 9/16, pkg. of 8

\*New pressure relief valve design

## Manifolds Assemblies P & L

(Not available in Series 3000V)



**Code P** = Internal circulating, 6 hose, DC gear pump, circulation valve, reverse flush filter

**Code L** = Internal circulating, 6 hose, DC gear pump, pressure control valve or motor pressure control, reverse flush filter

Item No.	Part Number	Description
1	276024	Drain Valve Assembly Contains:
	940101	• O-ring Viton
	954036	• Back-up Ring
	986239	• Retaining Ring, Spiral
2	288109	Heat Exchanger
3	105443	Reverse Flush Filter Assembly
4	105444	Filter Screen, .006 mesh
5	288094	Filter Bung Adapter
6	120326	MPC (Motor Pressure Control) – L only
7	120324	PRV (Pressure Relief Valve)
	306827*	PRV (Pressure Relief Valve)
8	120302	PCV (Pressure Control Valve) – L only
9	120325	CV (Circulation Valve) – P only
10	105523	Pkg of 5 O-rings
	940281	• O-ring, Viton, 1.375 x 1.50 x .063
11	105415	Plug, O-ring, 9/16, pkg. of 8

\*New pressure relief valve design

# Spare Parts for Obsoleted Units

## E-100 Applicator

The E-100 Applicator was discontinued as part of the product consolidation process. To Support the installed base, Nordson has released a spare gun body kit (PN 1024883).

### E-100 Gun Body Kit

Description	Qty
E-100 Gun Body	1
Set Screw, #10-32 X .188 in.	1
Mounting Insulator	4
Washer, 0.250 in.	2
Screw, Hex Head, ¼-20 X 1.25 in.	2
Gasket, E-100 Cover	1
Cover, E-100	1
Screw, Pan Head, #6-32 X 0.25 IN. (for cover)	2
Screw, Pan Head, #6-32 X 0.25 IN. (for thermostat)	1
Screw, Pan Head, #6-32 X 0.25 IN. (for cord set ground)	1
Nut, Coil Assembly	1
Top Lid, E-100 Coil	1
Housing, Coil	1
O-ring, Coil	1
Bottom Lid, E-100 Coil	1

### Valve Assemblies

Description	P/N
Valve Assembly, Standard	1018944
Valve Assembly, High Speed	1018945
Valve Assembly, Stemmed, High-speed, High Flow	1018949
Valve Assembly, continuous duty	1018950
Valve Assembly, stainless, standard speed	1018953
Valve Assembly, Stainless Seat, standard speed	1018954

### Temperature Sensors/Controls

Description	P/N
RTD, 100 OHM Sensor-Standard	1018962
RTD, 100 OHM Older Block Only	1018963
RTD, 120 OHM Nordson Systems	1018964
Kit, Fixed Thermostat 300 Deg F	1022267
Kit, Fixed Thermostat 315 Deg F	1022268
Kit, Fixed Thermostat 325 Deg F	1022271
Kit, Fixed Thermostat 380 Deg F	1022272
Kit, Fixed Thermostat 415 Deg F	1022273
Kit, Fixed Thermostat 440 Deg F	1022274
Kit, Fixed Thermostat 465 Deg F	1022275

### Head Coils

Description	P/N
Head Coil, 120 VAC 90 Watt	1022290
Head Coil, 240 VAC 90 Watt	1022292
Head Coil, 100 VAC 90 Watt	1022279
Head Coil, 200 VAC 90 Watt	1022291

### Cable Assemblies

Description	P/N
Cable Assembly, Thermoswitch	1022295
Cable Assembly, RTD Sensor	1018960
Cable Assembly, RTD Sensor, Water Wash	1022296

# Spare Parts for Obsoleted Guns

## H-200 Automatic RTD Guns – Pneumatic

Nordson H-200 style guns are the standard guns in many industries for automated applications.

They are offered:

- With removable gun modules for easy and cost effective replacement
- In custom designs or with internal filters
- To fit all 2300 or Series 3000 units
- In RBX Valve (exchange program) at 30% discount

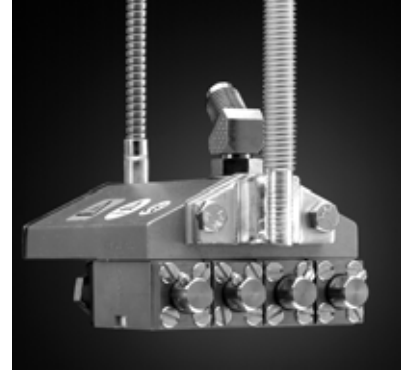
H-201 Standard Gun



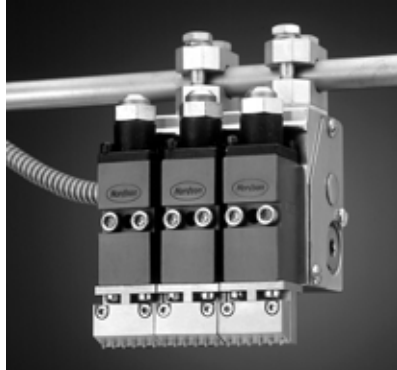
H-202 Standard Gun



H-204 LP Standard Gun



H-204 Reduced Cavity (RC) Gun



H-200 Mini Bead with Nozzle Plates



H-204 Zero Cavity (ZC) Gun

### Series H-200 Gun Styles

H-200 Standard	Variety of configurations and nozzles for dependable performance and clean cutoff.
H-200 Reduced Cavity (RC)	Resists clogging with integrated needle and nozzle assembly.
H-200 Zero Cavity (ZC)	For critical applications requiring highly accurate depositions and flow control, integrated needle and nozzle assembly.
Integrated Right Angle Guns (not shown)	One piece module and nozzle assembly for right angle adhesive patterns.
Top Feed Gun	Compact size, top feed hose entry, and many mounting (not shown) options simplify gun installation.
H-200 Mini-Bead Gun	For high speed lines requiring uniform beads; excellent for non-contact, sift-proof or web applications.

# Spare Parts for Obsolete Guns

## H-200 Gun Modules

**Replaceable gun modules** are available in one of four styles: standard, reduced cavity, zero cavity, and integrated right angle.



### H-200 Standard Module Features:

- Compatibility with nearly 200 nozzle designs
- Long-life hydraulic seals
- Release-coated surfaces

### H-200 Reduced Cavity (RC) Features:

- Integrated needle and nozzle assembly
- Stainless steel nozzle and needle resist chemical attack to prolong module life
- Reduced cavity improves adhesive cutoff and reduces stringing



### H-200 Zero Cavity (ZC) Features:

- Integrated needle and nozzle assembly
- Reduces adhesive flow by 35%
- Provides excellent cutoff for packaging & pressure-sensitive hot melts

### H-200 Integrated Right Angle Module (Patent Pending) Features:

- One piece module and nozzle adapter; uses Nordson 236xxx nozzles
- Easier installation and ability to maintain right angle position than most right angle nozzles
- Better heat transfer through the nozzle adapter for cleaner adhesive cutoff



All modules are built to ISO 9001 quality procedures to provide modules that are always built to the same high-quality standards – your assurance that Nordson products will perform consistently during production. Modules have a one year or a 2000 hour warranty.

Replacement modules are available through our RBX program at 30% less than new module prices.

# Spare Parts for Obsolete Guns

## H-200 Series Guns

### H-201 Automatic Guns (Single Module)



H-201 Standard Gun

### H-201 Standard

			Components		Modules	
Gun Part Number	RBX Part Number	Description	Heater Cartridge	Cordset Part Number	Module Part Number	Module RBX
274596	X274596	H-201-T	938123	223801	1048115	X1048115
276777	X276777	H-201-T-W	938123	223804	1048115	X1048115
815139	X815139	H-201-T-F	938159	274685	1048115	X1048115
101187		H-201-T-F, .38" slot	938159	274685	810261	X810261

### H-201 Top Feed Mini Gun

			Components		Modules	
Gun Part Number	RBX Part Number	Description	Heater Cartridge	Cordset Part Number	Module Part Number	Module RBX
222500	X222500	H-201-T	938129	223801	1048115	X1048115

*Designations:*

- F = Filter*
- W = Water Resistant*
- T = RTD Sensor*

*Example:*

*H-201-T-F = single module, 230 VAC, RTD sensing, quick-disconnect plug, vertical filter*

# Spare Parts for Obsolete Guns

## H-200 Standard Guns

### H-202 Standard (2 Modules)

			Components		Modules	
Gun Part Number	RBX Part Number	Description	Heater Cartridge	Cordset P/N	Module P/N	Module RBX
809467		H-202-T, 0.88" CTR, CA	810000	223801	1048115	X1048115
809619		H-202-T, 1.00" CTR, CA	810000	274685	1048115	X1048115
809558		H-202-T, 1.50" CTR, CA	810000	274685	1048115	X1048115
274597	X274597	H-202-T, 2.31" CTR, CA	938124	223801	1048115	X1048115
274606	X274606	H-202-T, 6.38" CTR, CA	938125	223801	1048115	X1048115
809686		H-202-T, .88" CTR, IA	810000	274685	1048115	X1048115
715463		H-202-T, 1.00" CTR, IA	810000	274685	1048115	X1048115
714500	X714500	H-202-T, 2.31" CTR, IA	715203	223801	1048115	X1048115
724670		H-202-T-F, 1.00" CTR, CA	938128	274685	1048115	X1048115
168488		H-202-T-F, 1.25" CTR, CA	938131	274685	1048115	X1048115
276776	X276776	H-202-T-W, 2.31" CTR, CA	938124	223804	1048115	X1048115

### H-202 Low Profile (2 Modules)

			Components		Modules	
Gun Part Number	RBX Part Number	Description	Heater Cartridge	Cordset P/N	Module P/N	Module RBX
276440	X276440	H-202-T-LP, 0.88" CTR, CA	938149	223801	1048115	X1048115
276779	X276779	H-202-T-LP-W, 0.88" CTR, CA, IA	938149	223804	1048115	X1048115

### H-202 Integrated Right Angle Guns (Low Profile)

			Components		Modules	
Gun Part Number	RBX Part Number	Description	Heater Cartridge	Cordset P/N	Module P/N	Module RBX
302951	X302951	H-202-T-LP, 0.88" CTR, CA	938149	223801	1051746	X1051746
302955	X302955	H-202-T-LP, 1.97" CTR, CA	938149	223801	1051746	X1051746
302954	X302954	H-202-T-LP-W, 0.88" CTR, CA	938149	223804	1051746	X1051746
302953	X302953	H-202-T-LP, 0.88" CTR,	938149	223801	1051746	X1051746

### H-203 Standard (3 Modules)

			Components		Modules	
Gun Part Number	RBX Part Number	Description	Heater Cartridge	Cordset P/N	Module P/N	Module RBX
714867		H-203-T, 0.88" CTR, CA	715203	223801	1048115	X1048115
714870		H-203-T, 0.88" CTR, IA	715203	223801	1048115	X1048115

**Designations:**

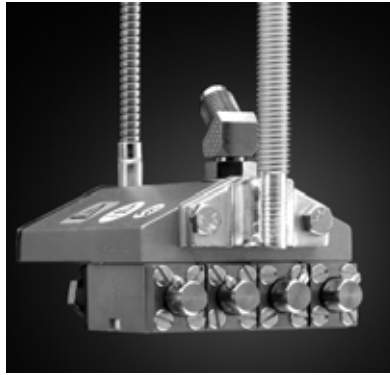
F = Filter  
 LP = Low Profile  
 T = RTD Sensor

W = Water Resistant  
 CA = Common Air  
 IA = Independent Air  
 CTR = Center Distance (") between Modules

**Example:** H-201-T-F = single module, 230 VAC, RTD sensing, quick-disconnect plug, vertical filter  
 H-202-T-LP-W = two modules, RTD, low profile, water resistant

# Spare Parts for Obsolete Guns

## H-200 Standard Guns



H-204 LP Standard Gun

## H-204 Standard (4 Module)

Gun Part Number	RBX Part Number	Description	Components		Modules	
			Heater Cartridge	Cordset Part Number	Module Part Number	Module RBX
714486		H-204-T, 0.88" CTR, CA	938124	274685	1048115	X1048115
274600	X274600	H-204-T, 0.88, 1.5, 0.88" CTR CA	938126	223801	1048115	X1048115
809398		H-204T, 1.5" CTR, CA	702409	223801	1048115	X1048115
274609	X274609	H-204-T, 1.62, 2.31, 1.62" CTR, CA	938127	223801	1048115	X1048115
809570		H-204-T, 0.88" CTR, IA	938124	274685	1048115	X1048115
724366		H-204-T, 0.88, 3.00" CTR, IA	121273	274685	1048115	X1048115
276775	X276775	H-204-T-W, 0.88, 1.5, 0.88" CTR, CA	938126	223801	1048115	X1048115
724953		H-204-T-F, .88, 5.125" CTR, CA	810000	274685	1048115	X1048115

## H-204 Low Profile (4 Module)

Gun Part Number	RBX Part Number	Description	Components		Modules	
			Heater Cartridge	Cordset Part Number	Module Part Number	Module RBX
276541	X276541	H-204-T-LP, 0.88" CTR, CA	938152	223801	1048115	X1048115
276780	X276780	H-204-T-LP, W, 0.88" CTR, CA	938152	223804	1048115	X1048115

## H-204 Low Profile Integrated Right Angle (4 Module)

Gun Part Number	RBX Part Number	Description	Components		Modules	
			Heater Cartridge	Cordset Part Number	Module Part Number	Module RBX
302956	X302956	H-204-T-LP, 0.88" CTR	938152	223801	1051746	X1051746
302958	X302958	H-204-T-LP-W, 0.88" CTR	938152	223804	1051746	X1051746

*Designations:*

*F = Filter*

*LP = Low Profile*

*T = RTD Sensor*

*W = Water Resistant*

*CA = Common Air*

*IA =Independent Air*

*CTR = Center Distance (") between Modules*

*Example:*

*H-204-T-F = four module, 230 VAC, RTD sensing, quick-disconnect plug, vertical filter*

*H-204-T-LP-W = four modules, RTD, low profile, water resistant*

# Spare Parts for Obsolete Guns

## H-200 Standard Guns

### H-206 Guns (6 Modules)

			Components		Modules	
Gun Part Number	RBX Part Number	Description	Heater Cartridge	Cordset P/N	Module P/n	Module RBX
714523		H-206-T 0.88" CTR, CA	702409	274685	1048115	X1048115
714698		H-206-T 1.50" CTR, CA	938132	223801	1048115	X1048115

### H-208 Guns (8 Modules)

			Components		Modules	
Gun Part Number	RBX Part Number	Description	Heater Cartridge	Cordset P/N	Module P/N	Module RBX
274603	X274603	H-208-T, 3 x .88, 1.5, 3 x .88" CTR, CA	938132	223801	1048115	X1048115
715471		H-208-T, 0.88" CTR, CA	135817	274685	1048115	X1048115

### H-208 Low Profile Guns (8 Modules)

			Components		Modules	
Gun Part Number	RBX Part Number	Description	Heater Cartridge	Cordset P/N	Module P/N	Module RBX
274594	X274594	H-208-T-LP, 0.88" CTR, CA	938128	223801	1048115	X1048115

### H-208 Integrated Right Angle Guns (Low profile)

			Components		Modules	
Gun Part Number	RBX Part Number	Description	Heater Cartridge	Cordset P/N	Module P/N	Module RBX
302959	X302959	H-208-T-LP, INT RT ANG, CA, 240	938128	223801	1051746	X1051746
302961	X302961	H-208-T-LP, INT RT ANG, 3-2-3	938128	223801	1051746	X1051746

*Designations:*

*T = RTD Sensor  
LP = Low Profile  
CA = Common Air*

*IA = Independent Air  
CTR = Center Distance (" ) between Modules*

*Example:*

*H-206-T = six module, 230 VAC, RTD sensing, quick-disconnect plug  
H-208-T-LP = eight modules, RTD, low profile*

# Spare Parts for Obsolete Guns

## H-200 Zero Cavity Guns (ZC)

(Nozzles are included with gun part numbers & module part numbers.)

### H-201 ZC (Single Module)

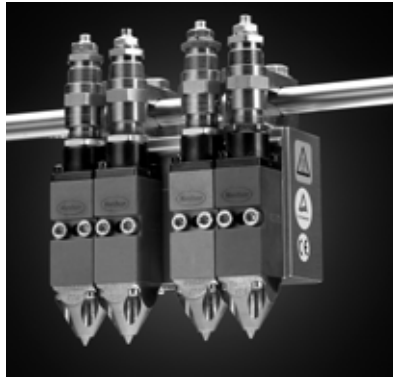
Gun Part Number	RBX Part Number	Description	Components		Modules	
			Heater Cartridge	Cordset P/N	Module P/N	Module RBX
809194	X809194	H-201-ZC08-T, .008 Ori.	938123	223801	1054375	X1054375
809195	X809195	H-201-ZC12-T, .012 Ori.	938123	223801	1051741	X276516
809196	X809196	H-201-ZC16-T, .016 Ori.	938123	223801	1051742	X1051742
809197	X809197	H-201-ZC20-T, .020 Ori.	938123	223801	1051743	X1051743
809198	X809198	H-201-ZC32-T, .032 Ori.	938123	223801	1051744	X1051744
809199	X809199	H-201-ZC40-T, .040 Ori.	938123	223801	1051745	X1051745
810076		H-201-ZC12-T-F, .012 Ori.	938131	223801	1051741	X1051741
809702		H-201-ZC16-T-F, .016 Ori.	938131	223801	1051742	X1051742
103613		H-201-ZC12-T-W, .012 Ori.	938123	223804	1051741	X1051741
109615	X109615	H-201-ZCS12-T, .012 Ori.	938123	274685	1054379*	X1054379
109616	X109616	H-201-ZCS12-T-W, .012 Ori.	938123	223804	1054379*	X1054379

\*Case sealing - no microadjust

### H-202 ZC (2-Module) - Common Air

Gun Part Number	Description	Components		Modules	
		Heater Cartridge	Cordset Part Number	Module Part Number	Module RBX
810112	H-202-ZC12-T, 0.88" CTR, .012 Ori.	810000	223801	1051741	X1051741

### H-204 ZC (4 Module) - Common Air



Gun Part Number	Description	Components		Modules	
		Heater Cartridge	Cordset P/N	Module P/N	Module RBX
107332	H-204-ZC12-T, 0.88" CTR, .012 Ori.	938124	274685	1051741	X1051741
810114	H-204-ZC12-T, 0.88, 1.5, 0.88" CTR, .012 Ori	938126	223801	1051741	X1051741

Designations:

F = Filter

ZC = Zero Cavity Gun and Module

T = RTD Sensor

W = Water Resistant

CTR = Center Distance (") between Modules

ORI = Nozzle Orifice Diameter (")

Example:

H-201-ZC12-T = single module, 230 VAC, RTD sensing, quick disconnect plug, zero cavity, .012" orifice nozzle

# Spare Parts for Obsoleted Guns

## H-200 Zero Cavity Guns (ZC)

(Nozzles are included with gun part number and module part number.)

### H-206 Zero Cavity (6 Modules) Common Air

Gun Part Number	Description	Components		Modules	
		Heater Cartridge	Cordset P/N	Module P/N	Module RBX
117573	H-206-ZC12-T, 0.88" CTR, .012 Ori.	702409	223801	1051741	X1051741
167425	H-206-ZC12-T, 1.00" CTR, .012 Ori.	149294	274685	1051741	X1051741

### H-208 Zero Cavity (8 Modules) – Common Air

Gun Part Number	Description	Components		Modules	
		Heater Cartridge	Cordset P/N	Module P/N	Module RBX
125726	H-208-ZC08-T, 0.88" CTR, .008 Ori.	135817	223801	1054375	X1054375
140318	H-208-ZC12-T, 0.88" CTR, .012 Ori.	135817	223801	1051741	X1051741
103593	H-208-ZC08-T, 0.88, 1.5, 0.88" CTR, .008 Ori.	938132	223801	1054375	X1054375
103594	H-208-ZC12-T, 0.88, 1.5, 0.88" CTR, .012 Ori.	938132	223801	1051741	X1051741
103596	H-208-ZC16-T, 0.88, 1.5, 0.88" CTR, .016 Ori.	938132	223801	1051742	X1051742
103597	H-208-ZC20-T, 0.88, 1.5, 0.88" CTR, .020 Ori.	938132	223801	1051743	X1051743
103598	H-208-ZC32-T, 0.88, 1.5, 0.88" CTR, .032 Ori.	938132	223801	1051744	X1051744
103599	H-208-ZC40-T, 0.88, 1.5, 0.88" CTR, .040 Ori.	938132	223801	1051745	X1051745

*Designations:*

*T = RTD Sensor*

*ZC = Zero Cavity Gun & Module*

*CA = Common Air*

*Ori. = Nozzle Orifice Diameter (")*

*CTR = Center Distance (") between Modules*

*Example:*

*H-206-ZC12-T = six module, 230 VAC, RTD sensing, quick-disconnect plug, zero cavity, .012" orifice nozzle*

# Spare Parts for Obsolete Guns

## H-200 Reduced Cavity Gun (RC)

(Nozzles are included with gun part number & module part number.)

## H-201 Reduced Cavity (Single Module)

Gun Part Number	RBX Part Number	Description	Components		Modules	
			Heater Cartridge	Cordset P/N	Module P/N	Module RBX
126352	X126352	H-201-RC08-T, .008 Ori.	938123	223801	1051794	X1051794
126353	X126353	H-201-RC12-T, .012 Ori.	938123	223801	1051793	X1051793
126354	X126354	H-201-RC16-T, .016 Ori.	938123	223801	1051791	X1051791
126355	X126355	H-201-RC20-T, .020 Ori.	938123	223801	1051790	X1051790
126357	X126357	H-201-RC12-T-F, .012 Ori.	938159	274685	1051793	X1051793
126358	X126358	H-201-RC16-T-F, .016 Ori.	938159	274685	1051791	X1051791
126359	X126359	H-201-RC20-T-F, .020 Ori.	938159	274685	1051790	X1051790
126361	X126361	H-201-RC12-T-W, .012 Ori.	938123	223804	1051793	X1051793
126362	X126362	H-201-RC16-T-W, .016 Ori.	938123	223804	1051791	X1051791

## H-201 Reduced Cavity Top Feed Mini Gun

Gun Part Number	RBX Part Number	Description	Components		Modules	
			Heater Cartridge	Cordset P/N	Module P/N	Module RBX
238697	X238697	H-201-RC08-T, .008 Ori.	938129	223801	1051794	X1051794
238698	X238698	H-201-RC12-T, .012 Ori.	938129	223801	1051793	X1051793
238699	X238699	H-201-RC16-T, .016 Ori.	938129	223801	1051793	X1051793
238700	X238700	H-201-RC20-T, .020 Ori.	938129	223801	1051790	X1051790

## H-202 Reduced Cavity (2 Modules) – Common Air

Gun Part Number	RBX Part Number	Description	Components		Modules	
			Heater Cartridge	Cordset P/N	Module P/N	Module RBX
126364	X126364	H-202-RC08-T, 0.88" CTR, .008 Ori.	810000	274685	1051794	X1051794
126365	X126365	H-202-RC12-T, 0.88" CTR, .012 Ori.	810000	274685	1051793	X1051793
126366	X126366	H-202-RC16-T, 0.88" CTR, .016 Ori.	810000	274685	1051793	X1051793
126369	X126369	H-202-RC12-T, 1.00" CTR, .012 Ori.	810000	274685	1051793	X1051793
126386	X126386	H-202-RC16-T, 1.00" CTR, .016 Ori.	810000	274685	1051791	X1051791
126374	X126374	H-202-RC16-T, 1.5" CTR, .016 Ori.	810000	274685	1051791	X1051791
126373	X126 373	H-202-RC12-T, 1.5" CTR, .012 Ori.	810000	274685	1051793	X1051793
151401		H-202-RC12-T, 2.00" CTR, .012 Ori.	715203	274685	1051793	X1051793

## H-202 Reduced Cavity (2 Modules) Independent Air

Gun Part Number	RBX Part Number	Description	Components		Modules	
			Heater Cartridge	Cordset P/N	Module P/N	Module RBX
126380	X126380	H-202-RC08-T, 0.88" CTR, .008 Ori.	810000	274685	1051794	X1051794
126382	X126382	H-202-RC16-T, 0.88" CTR, .016 Ori.	810000	274685	1051793	X1051793

Designations:

T = RTD Sensor

CTR = Center Distance (") between modules

Ori. = Nozzle Orifice Diameter (")

RC = Reduced Cavity Gun and Modules

Example:

H-202-RC16-T = two module, 230 VAC, RTD sensing, quick-disconnect plug, reduced cavity, .016" orifice nozzle

# Spare Parts for Obsolete Guns

## H-200 Reduced Cavity Gun (RC)

(Nozzles are included with gun part number and module part number.)

**H-204 –  
RC Gun**



### H-204 Reduced Cavity (4 Module)–Common Air

Gun Part Number	RBX P/N	Description	Components		Modules	
			Heater Cartridge	Cordset P/N	Module P/N	Module RBX
126405	X126405	H-204-RC12-T, 0.88, 1.5, 0.88" CTR, .012 Ori.	938126	274685	1051793	X1051793
126406	X126406	H-204-RC16-T, 0.88, 1.5, 0.88" CTR, .016 Ori.	938126	274685	1051791	X1051791
724406		H-204-RC12-T, 1.25 CTR, .012 Ori.	710669	274685	1051793	X1051793
153300		H-204-RC20-T, 1.50" CTR, .020 Ori.	702409	274685	1051790	X1051790
126407	X126407	H-204-RC20-T, 0.88, 1.5, 0.88" CTR, .020 Ori.	938126	274685	1051790	X1051790
145765	X145765	H-204-RC16-T, 0.88" CTR, .016 Ori.	938124	274685	1051791	X1051791
145766	X145766	H-204-RC20-T, 0.88" CTR, .020 Ori.	938124	274685	1051790	X1051790
165809		H-204-RC20-T, QD, 1.5" CTR, .020 Ori.	702409	273906	1051790	X1051790
165810		H-204-RC20-T, QD, 0.88, 1.5., 0.88" , .020 Ori. CTR	938126	273906	1051790	X1051790

*Designations:*

*RC = Reduced Cavity*

*T = RTD Sensors*

*Ori. = Nozzle Orifice Diameter (")*

*CTR = Center Distance (") between Modules*

*QD = Quick Disconnect Plug*

*Example:*

*H-204-RC20-T = four module, 230 VAC, RTD sensing, quick-disconnect plug, reduced cavity, .020" orifice nozzle.*

# Spare Parts for Obsolete Guns

## H-200 Reduced Cavity Gun (RC)

(Nozzles are included with gun part number & module part number.)

## H-206 Reduced Cavity (6 Module) – Common Air

Gun Part Number	RBX Part Number	Description	Components		Modules	
			Heater Cartridge	Cordset P/N	Module P/N	Module RBX
126420	X126420	H-206-RC08-T, 0.88" CTR, .008 Ori.	702409	274685	1051794	X1051794
126422	X126422	H-206-RC16-T, 0.88" CTR, .016 Ori.	702409	274685	1051791	X1051791
126423	X126423	H-206-RC20-T, 0.88" CTR, .020 Ori.	702409	274685	1051790	X1051790
165825		H-206-RC16-T, 1.0" CTR, .016 Ori.	149294	274685	1051794	X1051794
126424	X126424	H-206-RC08-T, 1.5" CTR, .008 Ori.	938132	274685	1051794	X1051794
126425	X126425	H-206-RC12-T, 1.5" CTR, .012 Ori.	938132	274685	1051793	X1051793
126426	X126426	H-206-RC16-T, 1.5" CTR, .016 Ori.	938132	274685	1051794	X1051794
126427	X126427	H-206-RC20-T, 1.5" CTR, .020 Ori.	938132	274685	1051790	X1051790

## H-208 Reduced Cavity (8 Module) – Common Air

Gun Part Number	RBX Part Number	Description	Components		Modules	
			Heater Cartridge	Cordset P/N	Module P/N	Module RBX
126432	X125432	H-208-RC08-T, 0.88,1.5,0.88" CTR, .008 Ori.	938132	223801	1051794	X1051794
126433	X126433	H-208-RC12-T, 0.88,1.5,0.88" CTR, .012 Ori.	938132	223801	1051793	X1051793
126434	X126434	H-208-RC16-T, 0.88,1.5,0.88" CTR, .016 Ori.	938132	223801	1051794	X1051794
126435	X126 35	H-208-RC20-T, 0.88,1.5,0.88" CTR, .020 Ori.	938132	223801	1051790	X1051790

Designations:

RC = Reduced Cavity  
Ori. = Nozzle Orifice Diameter (")

T = RTD Sensors

CTR = Center Distance (") between Modules

Example:

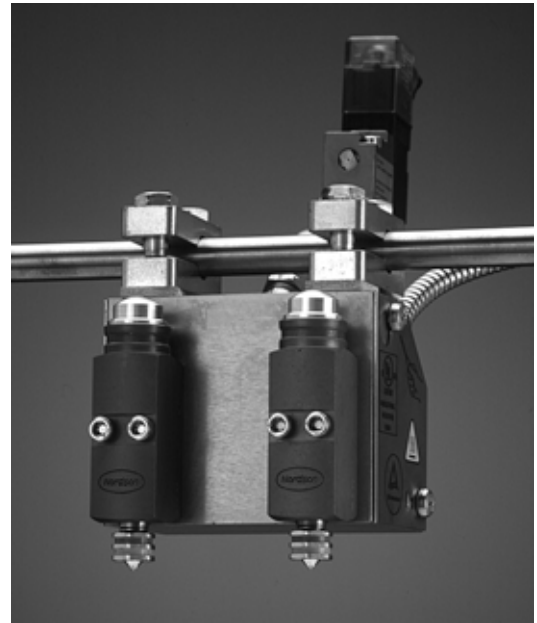
H-208-RC16-T = eight module, 230 VAC, RTD sensing, quick-disconnect plug, reduced cavity, .016" orifice nozzle

# Spare Parts for Obsolete Guns

## H-400 and H-440 Automatic RTD Guns – Pneumatic

H-440 guns are air-open, air-close (AOAC) designs. These guns use only the H-440 Modules.

H-400 guns are air-open, spring-close (AOSC) designs. These guns use H-400 modules which can also fit standard H-200 guns.



H-442 Gun

### H-441 Standard Guns AOAC – (1 Module)

			Components		Modules		
Gun Part Number	RBX Part Number	Description	Heater Cartridge	Cordset P/N	Module P/N	Module RBX	Solenoid
326540	X326540	H-441-T	938053	231280	1052927	X1052927	1056119

### H-442 Standard Guns AOAC – (2 Module)

			Components		Modules		
Gun Part Number	RBX Part Number	Description	Heater Cartridge	Cordset Pt Number	Module Pt Number	Module RBX	Solenoid
326584	X326584	H-442-T, 0.88" CTR	810000	231280	1052927	X1052927	1056119
326585	X326585	H-442-T, 1.50" CTR	810000	231280	1052927	X1052927	1056119
326545	X326545	H-442-T, 2.31" CTR	938124	231280	1052927	X1052927	1056119
326586	X326586	H-442-T, 0.88" CTR	938149	223826	1052927	X1052927	1056119

**Designations:**

LP = Low Profile

T = RTD Sensor

CTR = Center Distance (") between Module

22.4 mm = 0.88"

38.1 mm = 1.50"

58.7 mm = 2.31"

**Example:**

H-441-T- = single module, 230 VAC, RTD sensing, quick-disconnect plug

H-442-T-LP- = two modules, RTD, low profile

# Spare Parts for Obsolete Guns

## Series H-440 AOAC RTD Guns – Pneumatic – Air Open, Air Close

### H-440 Standard Guns AOAC (4-Module)

			Components		Modules		
Gun P/N	RBX P/N	Description	Heater Cartridge	Cordset P/N	Module P/N	Module RBX	Solenoid
326587	X326587	H-444-T, 0.88" CTR	938124	231280	1052927	X1052927	1056119
224936	X224936	H-444-T-LP, 0.88" CTR		223826	1052927	X1052927	1056119
326546	X326546	H-444-T, 0.88," 1.50," 0.88" CTR	938126	231280	1052927	X1052927	1056119

### H-446 Standard Guns AOAC (6 Module)

			Components		Modules		
Gun P/N	RBX P/N	Description	Heater Cartridge	Cordset P/N	Module P/N	Module RBX	Solenoid
224937	X224937	H-446-T, 0.88" CTR	702409	231280	1052927	X1052927	1056119

## Series H-400 AOSC Guns – Air Open, Spring Close, 240 VAC

### H-400 AOSC gun modules will fit on H-200 style guns

			Components		Modules		
Gun P/N	RBX P/N	Description	Heater Cartridge	Cordset P/N	Module P/N	Module RBX	
224939	X224939	H-401-T	938123	223801	1052925	1052925X	
224940	X224940	H-402-T, 0.88" CTR	810000	223801	1052925	1052925X	
224943	X224943	H-402-T, 0.88" CTR, LP	938149	223801	1052925	1052925X	
224941	X224941	H-402-T 1.50" CTR	810000	274685	1052925	1052925X	
224942	X224942	H-402-T, 2.31" CTR	938124	223801	1052925	1052925X	
224944	X224944	H-404-T, 0.88" CTR	938124	274685	1052925	1052925X	
224947	X224947	H-404-T, 0.88" CTR, LP	938152	223801	1052925	1052925X	
224946	X224946	H-404-T, 0.88" x 1.50" x 0.88" CTR	938126	223801	1052925	1052925X	
224948	X224948	H-406-T, 0.88" CTR	702409	274685	1052925	1052925X	

Order 400 series or 800 series solenoids for optimal speed, pattern capability and module life.

See gun solenoids.

**Designations:**

LP = Low Profile

T = RTD Sensor

CTR = Center Distance (") between Modules

22.4 mm = 0.88"

38.1 mm = 1.50"

58.7mm = 2.31"

**Example::**

H-441-T = single module, 230 VAC, RTD sensing, quick-disconnect plug

H-442-T-LP = two modules, RTD, low profile

# Spare Parts for Obsoleted Units

## Pattern Controls

### Tempus<sup>(TM)</sup> Pattern Control Replacement Parts

#### Tempus Photosensors

Part number	Description
340277	Diffuse/reflective, 15 ft., RJ45
340274	Retro/reflective, 15 ft., RJ45

#### Tempus Spare Parts

Part Number	Part	Description
340287	Circuit	PCB, Power, Tempus
340288	Boards	PCB Assembly, Display/Control, Tempus
340270	Solenoid	Cable, CAT5, Solenoid, 30 ft, RJ11, Tempus w/male connectors
340283	Cable Repair	Cable, Jacketed, CAT5, 100 ft Roll, 2 Pair, 24 AWG w/o male connectors
340284		• Connector, RJ11
340285		• Tool, Crimp, RJ11/RJ45
114876	Fuses	Fuse, 4A, PCB, Power, Tempus
939091		• Fuse, 5A, Power On/Off Switch, Tempus
340279	Manuals	User Guide, Tempus
340282		• Card, Installation, Tempus
340289		• Manual, Tempus (English/Spanish)
340278	Power Cable	Cable, Power, IEC, 6 ft, Tempus

## PC 40/44 and PC50 Series

### PC 40/44 – General Accessories – Switches

Part Number	Description
134789	Remote memory switch; 4-position switch
116566	Position switch knob; use with remote-memory switch, part 134789
117896	Lockout key switch; 2-position switch for remote user interface lockout with control modules. Mounts external to the cabinet

# Spare Parts for Obsolete Units

## Thermostat controlled units – Spare Parts

### Model IV/V\* Spare Parts

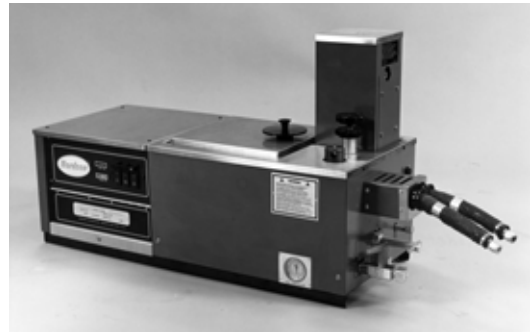
Model  
IV/V



P/N	Description
498056	Piston Pump Assembly
503694	• Siphon Ball, Seat & Cage Kit
503708	• Pressure Ball & Seat Kit
244244	4-Way Air Valve
105519	• Poppet Seat Kit
503656	• Valve Gasket
900252	Disulfide Lubricant
240354	Valve Shifter
240423	Scraper
244376	Air Motor Seal Kit
750110	Drain Valve
275175	Pressure Relief Valve
504140	Filter Assembly
161130	• Filter Screen
941201	• Viton O-ring
137320	Hydraulic Crossover Tube Kit consisting of:
137321	• Hydraulic Crossover Tube
940134	• Viton O-ring
986103	• Retaining Ring
939060	Heat Limiter, 410° F
937085	Hose Thermostat, 300–400° F
937090	Tank Thermostat, 300–400° F
901205	Thermometer
939229	Amber Indicator Lamp
939257	White Indicator Lamp
939068	15 Amp Fuse
939091	5 Amp Fuse
243689	Main On/Off Rocker Switch

### Model VII\* Spare Parts

Model  
VII



P/N	Description
244405	Piston Pump Assembly
240839	• Siphon Ball & Seat
240533	• Siphon Ball Cage
240838	• Pressure Ball & Seat
240535	• Scraper
270040	Pump Seal Kit consisting of:
503656	• Valve Gasket (4)
940420	• Viton O-Ring (2)
952130	• Viton U-Cup (1)
240540	• Piston Cup (2)
940141	• Viton O-Ring (2)
954020	• Backup Ring (1)
244244	4-Way Air Valve
105519	• Poppet Seat Kit
900252	Disulfide Lubricant
240354	Valve Shifter
241372	Circulating Valve
750165	Pressure Relief Valve
272992	Filter Assembly
161106	• Reinforced Screen
941240	• Viton O-Ring
939524	Amber Indicator Lamp
939525	White Indicator Lamp
270826	Main Circuit Breaker, 20–30–20 Amp
937131	Hose/Gun Circuit Breaker, 3.5 Amp
240713	Heat Limiter
901205	Thermometer
939016	1 Amp Fuse
240833	Tank Temperature Controller
240567	Hose Temperature Controller
937289	120VAC Contactor

*\*Note: Models IV, V and VII are no longer manufactured. Parts are available in limited stock quantities. Please consider replacing with: Models IV and V with Series 3400 or Series 3500 units and Model VII with Series 3700 units.*

*Trade-in discounts may be available through your local sales representative.*

# Spare Parts for Obsoleted Units

## Thermostat Controlled Units – Hoses

### Model IV/V Hoses

P/N	RBX P/N	Description
272637	X272637	4' Automatic Hose, 230VAC
272638	X272638	6' Automatic Hose, 230VAC
272639	X272639	8' Automatic Hose, 230VAC
272640	X272640	10' Automatic Hose, 230VAC
272641	X272641	16' Automatic Hose, 230VAC
273561	X273561	4' Automatic, Waterwash, IV, 230VAC
273562	X273562	6' Automatic, Waterwash, IV, 230VAC
273563	X273563	8' Automatic, Waterwash, IV, 230VAC
273160	X273160	8' Handgun Hose for AD-31-A Handguns
273153	X273153	8' Handgun Hose for H21 Handguns
273161	X273161	16' Handgun Hose for AD-31-A Handguns
273154	X273154	16' Handgun Hose for H21 Handguns
244276	X244276	Handgun Support Bracket (AD-31-A)

### Model VII Hoses

P/N	RBX P/N	Description
240665	X240665	1' Automatic Hose with Sensor
846012	X846012	1' Automatic Hose
846024	X846024	2' Automatic Hose
846036	X846036	3' Automatic Hose
846048	X846048	4' Automatic Hose
846060	X846060	5' Automatic Hose
846072	X846072	6' Automatic Hose
846096	X846096	8' Automatic Hose
846120	X846120	10' Automatic Hose

### Model XIV / XIV-A Hoses

P/N	RBX P/N	Description
272949	X272949	2' Automatic Hose, 230VAC
272944	X272944	4' Automatic Hose, 230VAC
272945	X272945	6' Automatic Hose, 230VAC
272947	X272947	8' Automatic Hose, 230VAC
273276	X273276	8' Handgun Hose for AD 31-A Handguns
273644	X273644	8' Handgun Hose for H21 Handguns
273277	X273277	16' Handgun Hose for AD 31-A Handguns

### Model 2000/2200 Hoses

P/N	RBX P/N	Description
272863	X272863	2' Automatic Hose
272838	X272838	4' Automatic Hose
272839	X272839	6' Automatic Hose
272840	X272840	8' Automatic Hose
272841	X272841	10' Automatic Hose
273624	X273624	16' Automatic Hose
273204	X273204	8' Handgun Hose for AD-31-D Handgun
273205	X273205	16' Handgun Hose for AD-31-D

Note: RBX hoses are at significant discounts.

# Spare Parts for Obsolete Units

## Thermostat Controlled Units – Guns

### H-20 – Guns (Single Module)

Gun P/N	RBX P/N	Description	Components		Modules	
			Heater Cartridge	Cordset P/N	Module P/N	Module RBX
153010	X153010	H-20A (Roman Numeral) – 350° F	938053	242077	153011	X153011
273385	X273385	H-20A (Roman Numeral) – 375° F	938053	242077	153011	X153011
272716	X272716	H-20A (Series 2000/2200) – 350° F	938053	273906	153011	X153011
153130	X153130	H-20C – 350° F	938055		153011	X153011
241969	X241969	H-20-W (Roman numeral) – 350° F	938144		153011	X153011

### H-200 Guns

Gun P/N	RBX P/N	Description	Components		Modules	
			Heater Cartridge	Cordset P/N	Module P/N	Module RBX
273298	X273298	H-201, Adj., Std, 230V	938104	223811	276119	X276119
273299	X273299	H-201, Adj., 230V, Q.D.	938104	223810	276119	X276119
272323	X272323	H-202, 2.31" CTR., CA	938039	242077	276119	X276119
276460	X276460	H-202-LP, .88" CTR, CA	938091	223811	276119	X276119
803940		H-202, 1.5" CTR, CA	810000	242077	276119	X276119
272324	X272324	H-202, .88" CTR, CA	938088	242077	276119	X276119
272325	X272325	H-204, .88", 1.5", .88" CTR, CA	938040	242077	276119	X276119
272326	X272325	H-204, 1.62", 2.31", 1.62" CTR, CA	938089	242077	276119	X276119
276467	X276467	H-204-LP, 88" CTR, CA	938165	223811	276119	X276119

### AD-24 Guns

Gun P/N	RBX P/N	Description	Components		Gun Cartridge
			Heater Cartridge	Cordset P/N	P/N
242056	X242056	AD-24-2, 2.31" CTR	938039	242077	241809
271166	X271166	AD-24-2 LP	938079	271179	241809
242057	X242057	AD-24-4, .81", 1.5", .81" CTR	938040	242077	241809
243915	X243915	AD-24-4 LP	938051	242077	241809
242058	X242058	AD-24-4, 1.62", 2.37", 1.62" CTR	938041	242077	241809

### AD-31 Guns

Gun P/N	RBX P/N	Description	Heater Cartridge
271612	X271612	AD-31-A, Roman Numeral Units	271625
272790	X272790	AD-31-D, Series 2000/2200 Units	271625
276028	X276028	AD-31-E, Model 115 Units	274094

Designations: CTR = Center distance (") between modules, LP = Low Profile, CA = Common Air

# Spare Parts for Obsolete Units

## Gun Heaters, Thermostats, and RTD Spare Parts

### Automatic and Handgun Heaters

Heater P/N	Gun P/N	Description
938053	153010	H-20A, 230VAC, 147W
938144	241969	H-20A Waterwash, 230V, 180W
938104	273298	H-201, 230VAC, 100W
938039	272323	H-202 Close, 230VAC, 210W
938091	276460	H-202-LP, 230VAC, 65W
938088	272324	H-202-E, 230VAC, 330W
938040	272325	H-204 Close, 230VAC, 210W
938089	272326	H-204 Expanded, 230VAC, 300W
938165	276467	H-204-LP, 230VAC, 130W
938039	242056	AD-24-2, 230VAC, 210W
938079	271166	AD-24-2LP, 230VAC, 150W
938042	270805	H-204 Expanded, 230VAC, 330W
938040	242056	AD-24-4, 230VAC, 210W
938051	243915	AD-24-4LP, 230VAC, 100W
938041	242058	AD-24-4 Expanded, 230VAC, 300W
271625	271612	AD-31-A, 230VAC, 60W
271625	272790	AD-31-D, 230VAC, 60W
274094	276028	AD-31-E, 120VAC, 65W

### Gun RTD's

P/N	Description
274783	Automatic Guns

### Gun Thermostats

P/N	Description
804835	200° F, H-20 & H-200
271933	225° F, H-20 & H-200
271934	250° F, H-20 & H-200
271935	275° F, H-20 & H-200
271936	300° F, H-20 & H-200
271928	325° F, H-20 & H-200
271929	350° F, H-20 & H-200
271930	375° F, H-20 & H-200
271931	400° F, H-20 & H-200
937255	325° F, AD-31 Handgun
937256	350° F, AD-31 Handgun
937257	375° F, AD-31 Handgun
937258	400° F, AD-31 Handgun